

GB English - Use and installation instructions

NL Nederlands - Gebruiks- en installatievoorschriften

FR Français - Notice d'utilisation et d'installation

DE Deutsch - Gebrauchs und Installationsanleitung

ES Español - Instrucciones de uso e instalación

PT Português - Instruções de uso e instalação

IT Italiano - Istruzioni d'uso e installazione

PL Polski - Instrukcja użytkowania i instalacji

AR Arabic - تعليمات الاستخدام والتثبي



Fig. 1

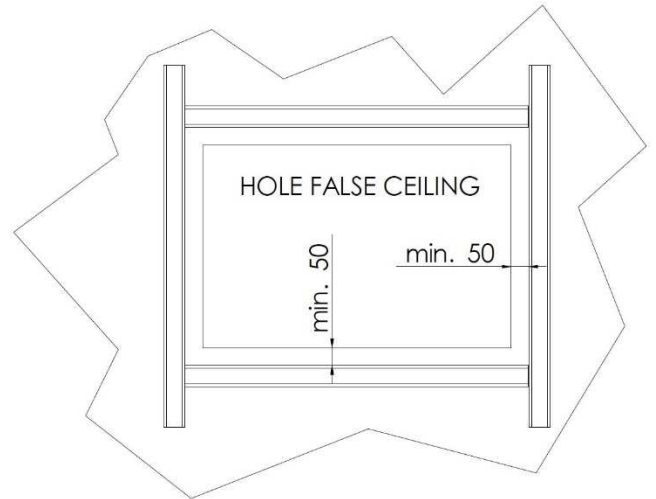
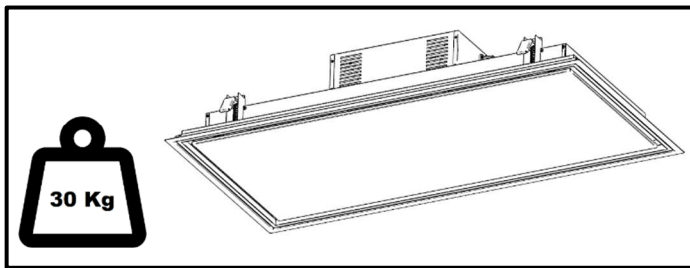
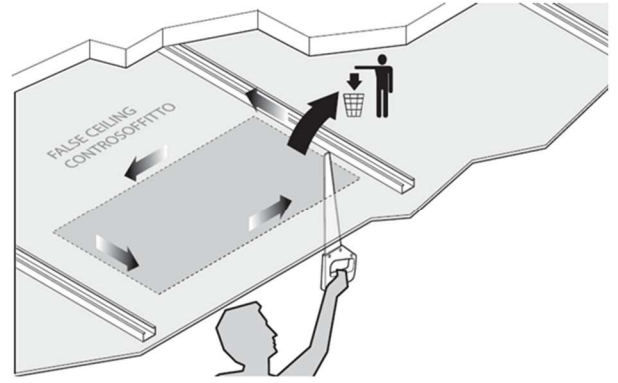
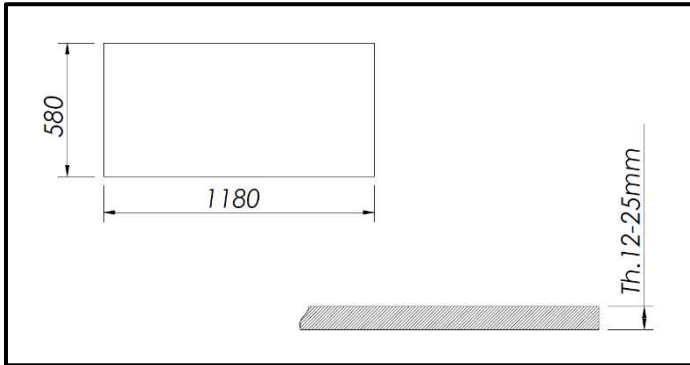


Fig. 2

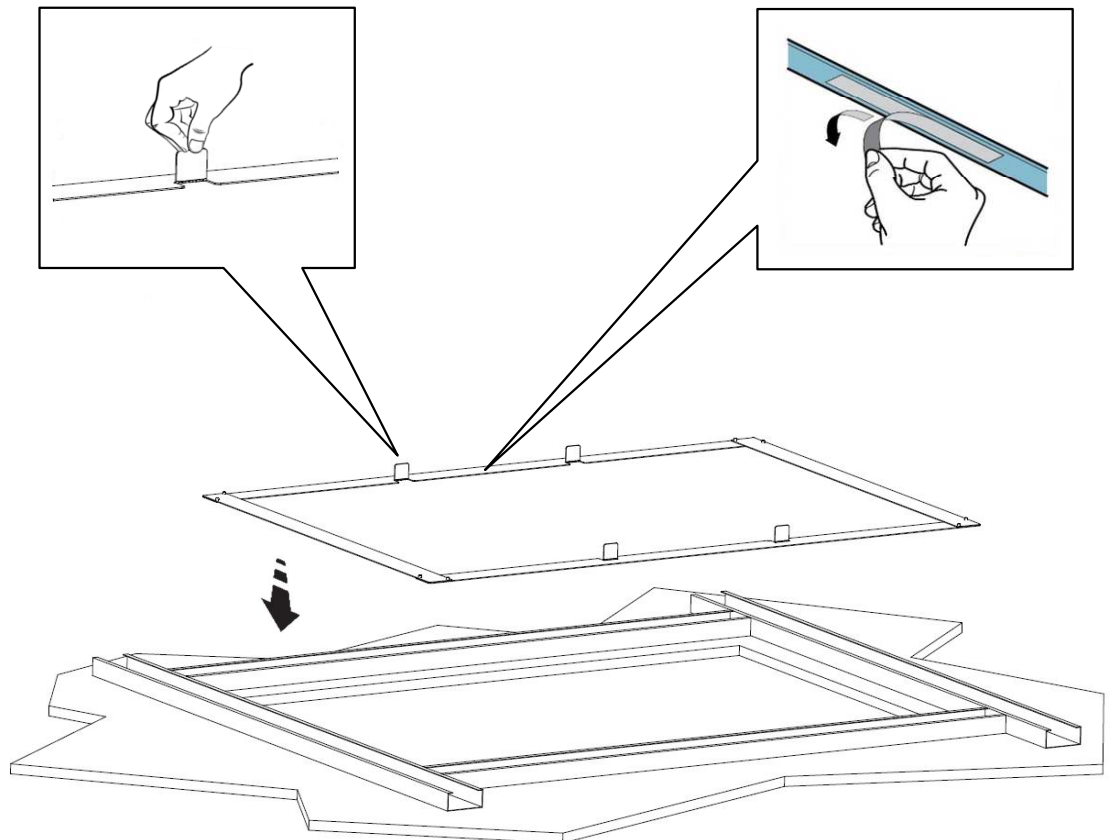


Fig. 3

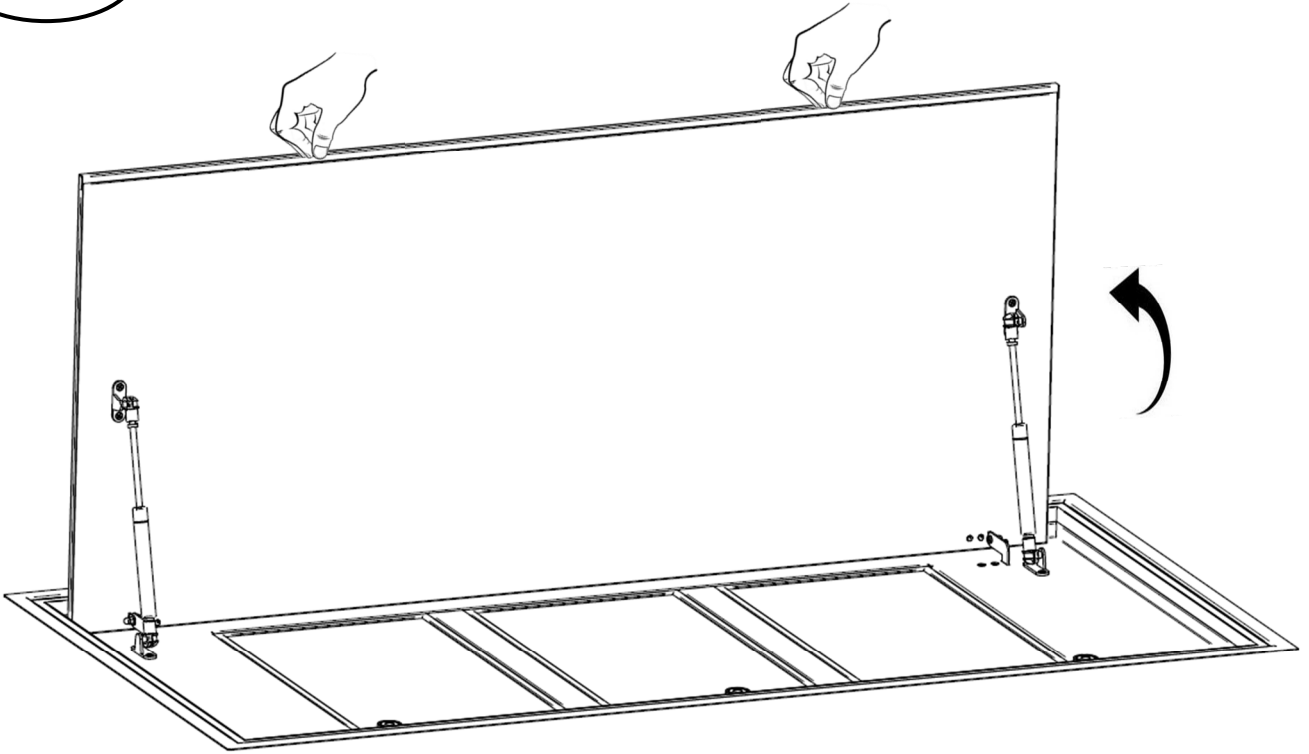


Fig. 4

 x8

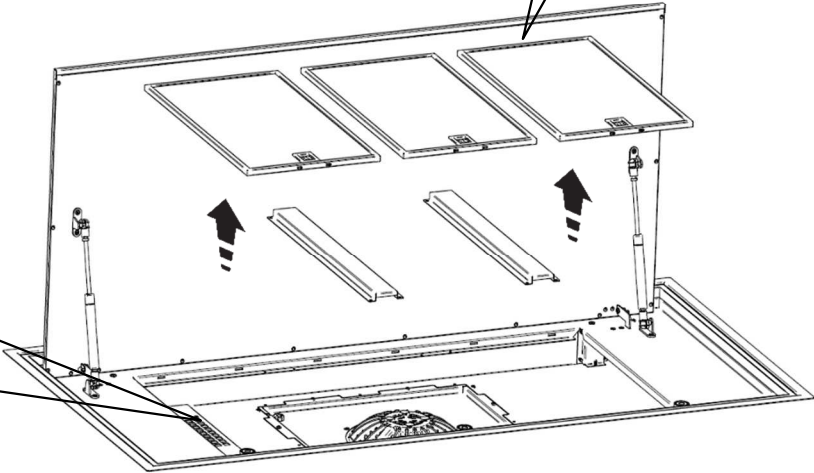
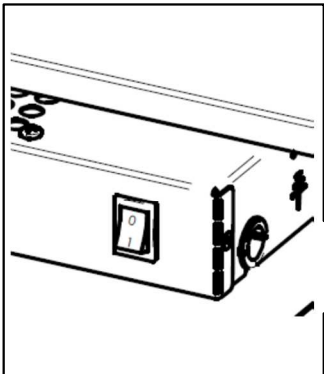
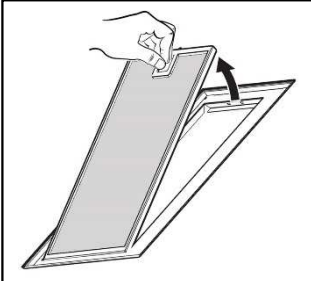


Fig. 5

MOTOR CABLE DISCONNECTION

 x4

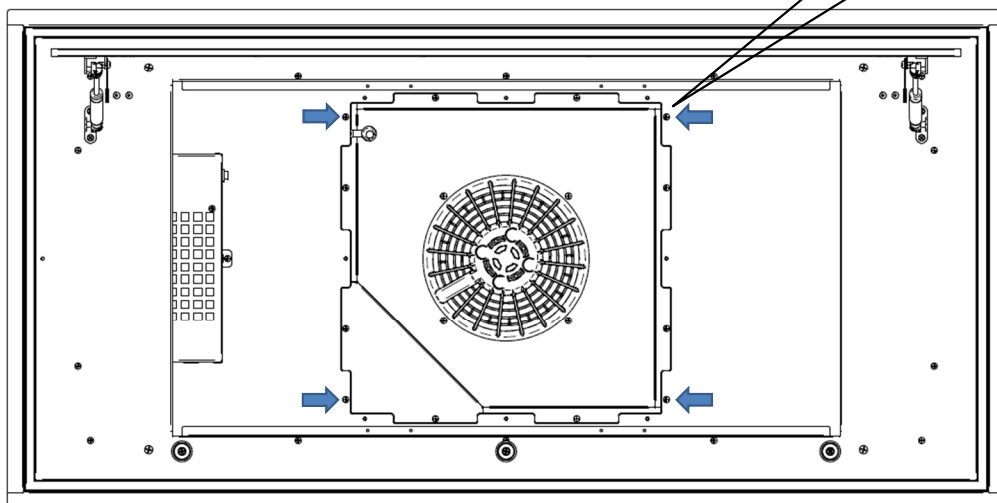
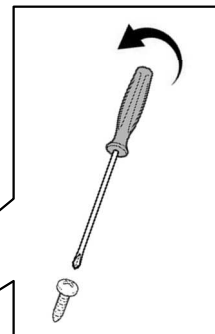
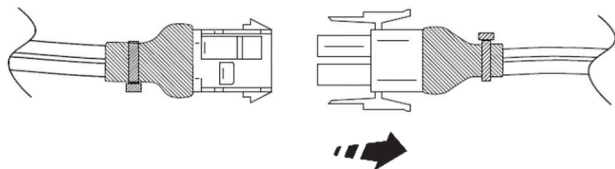


Fig. 6

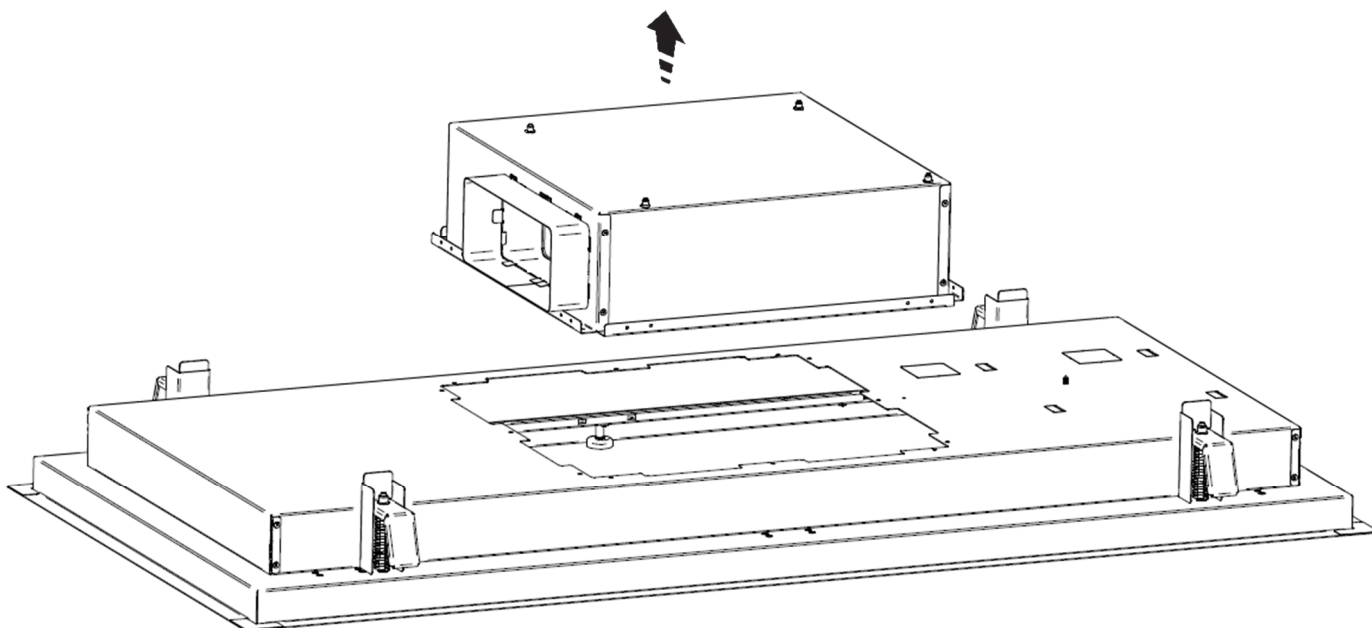


Fig. 7

 x8

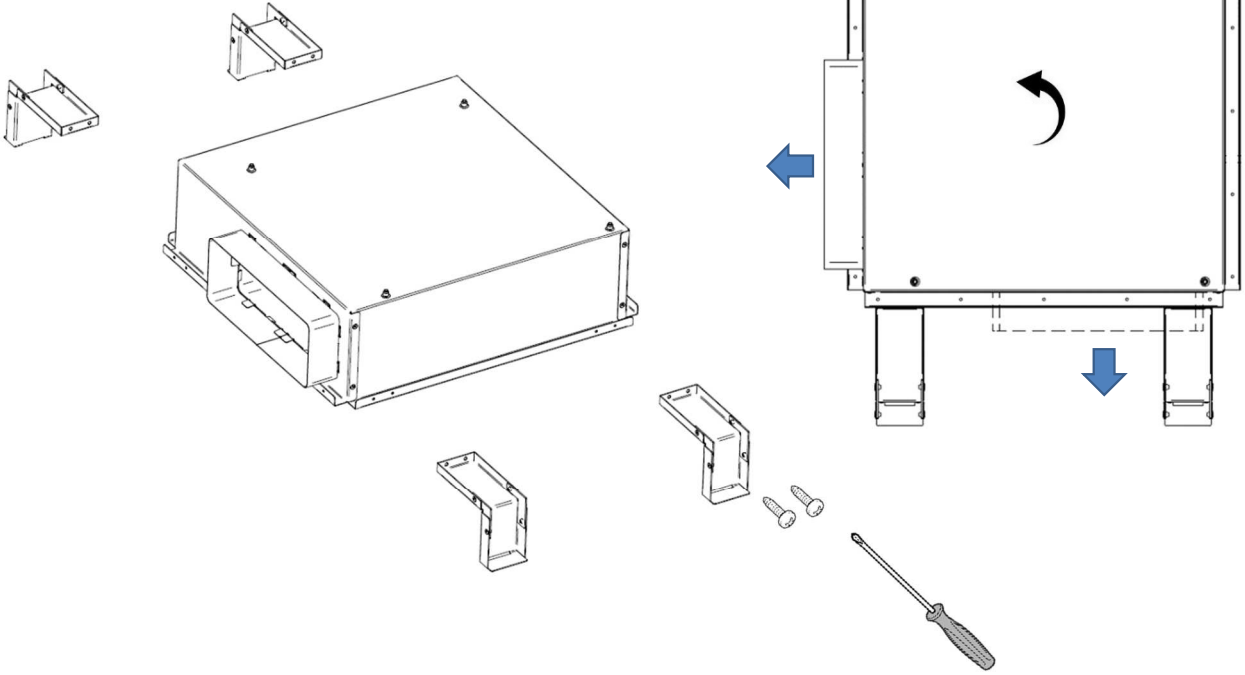


Fig. 8

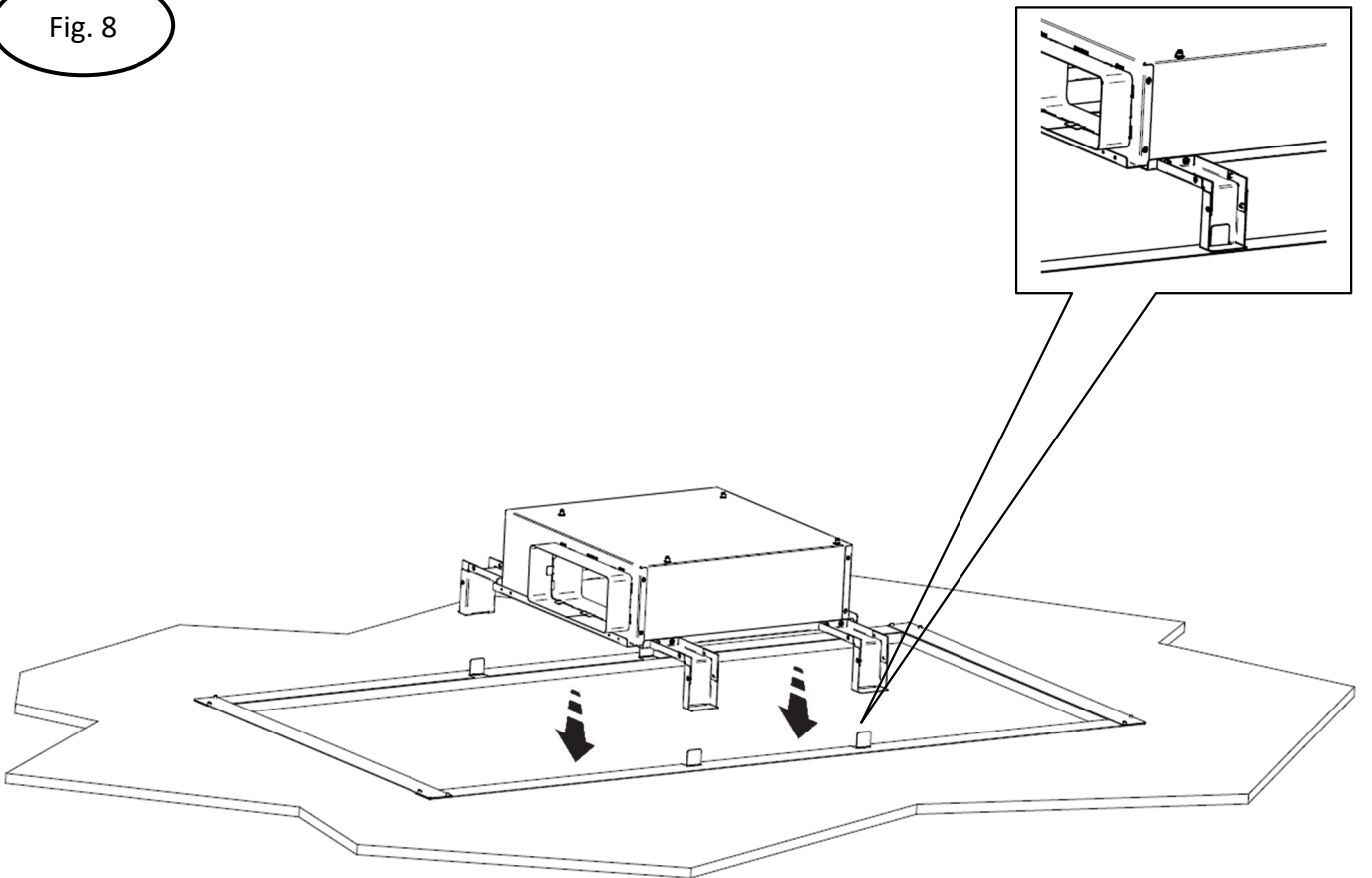


Fig. 9

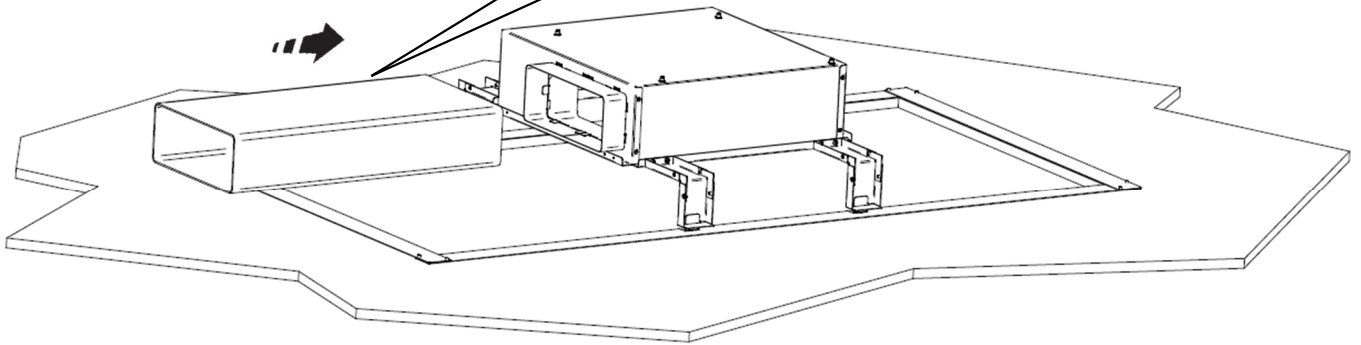
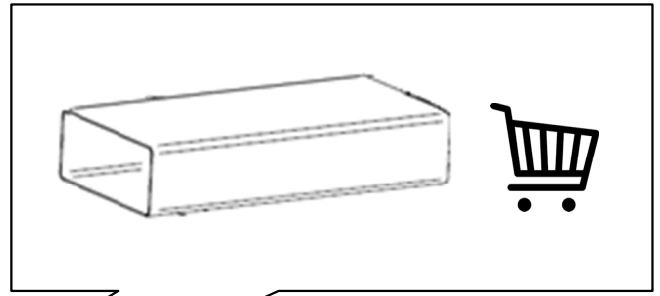


Fig. 10

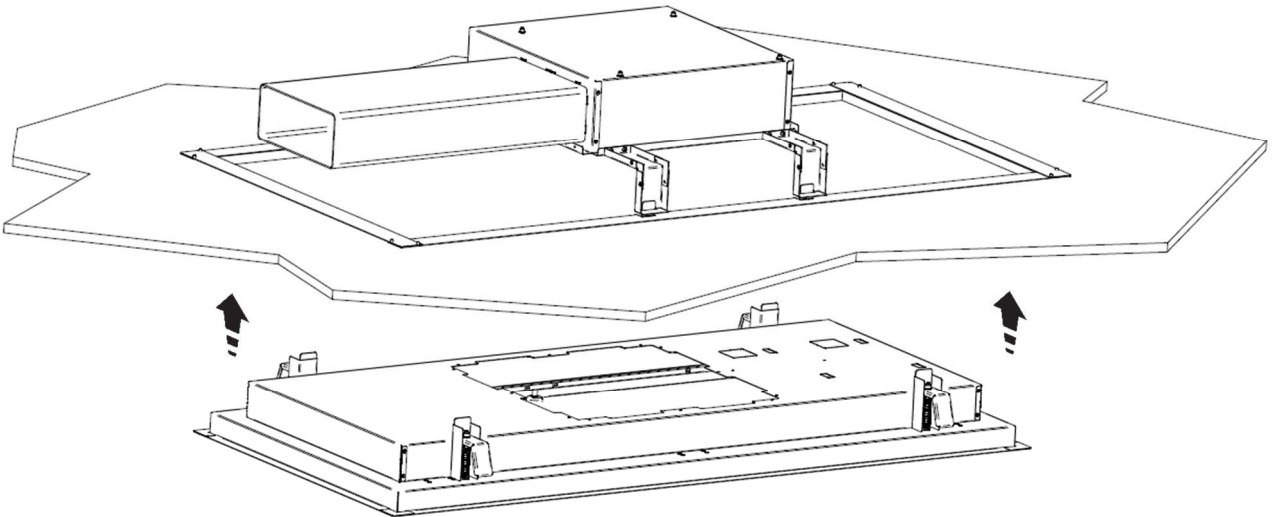
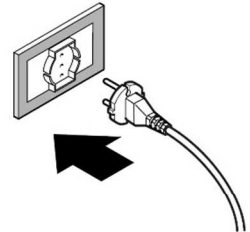


Fig. 11

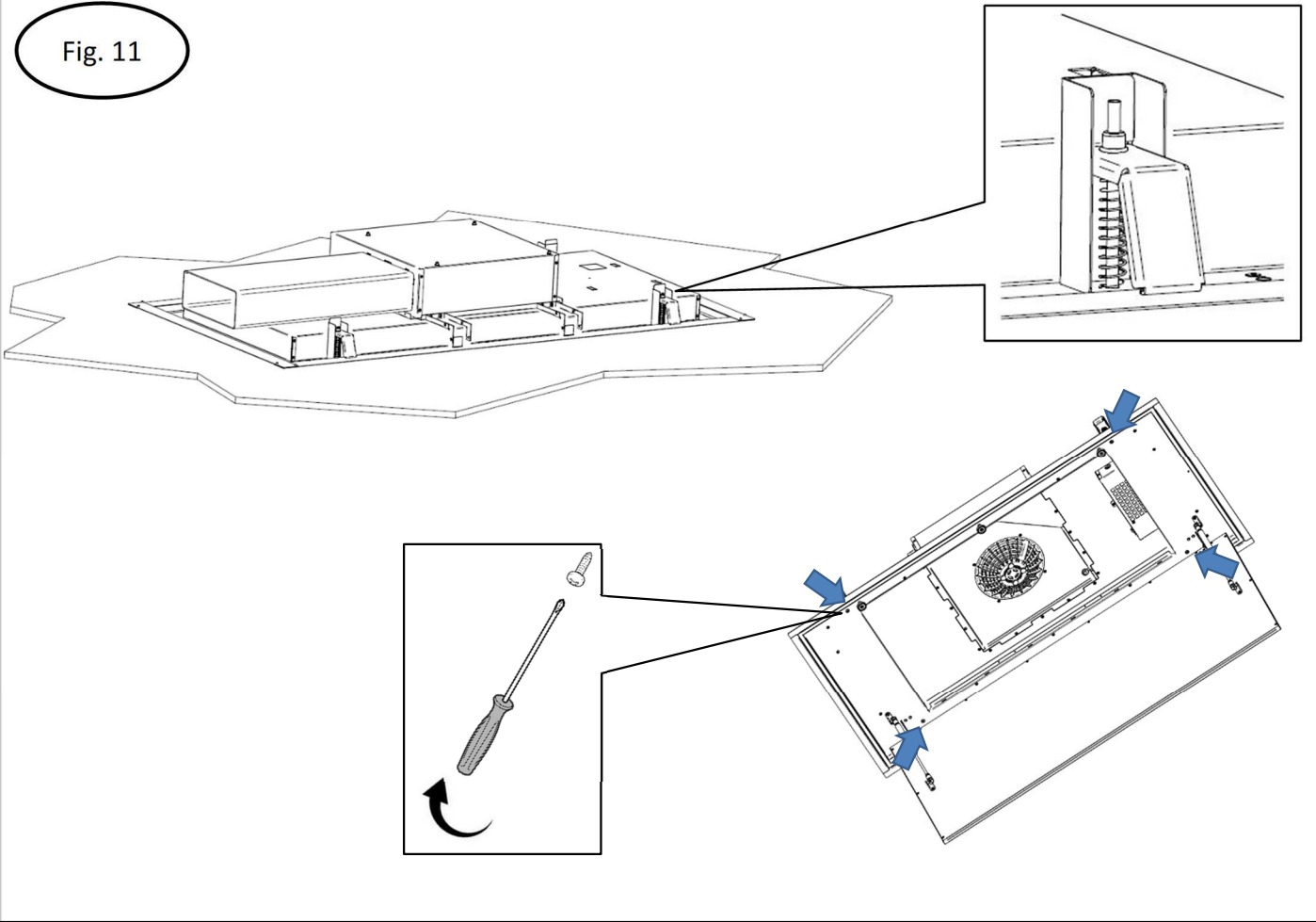


Fig. 12

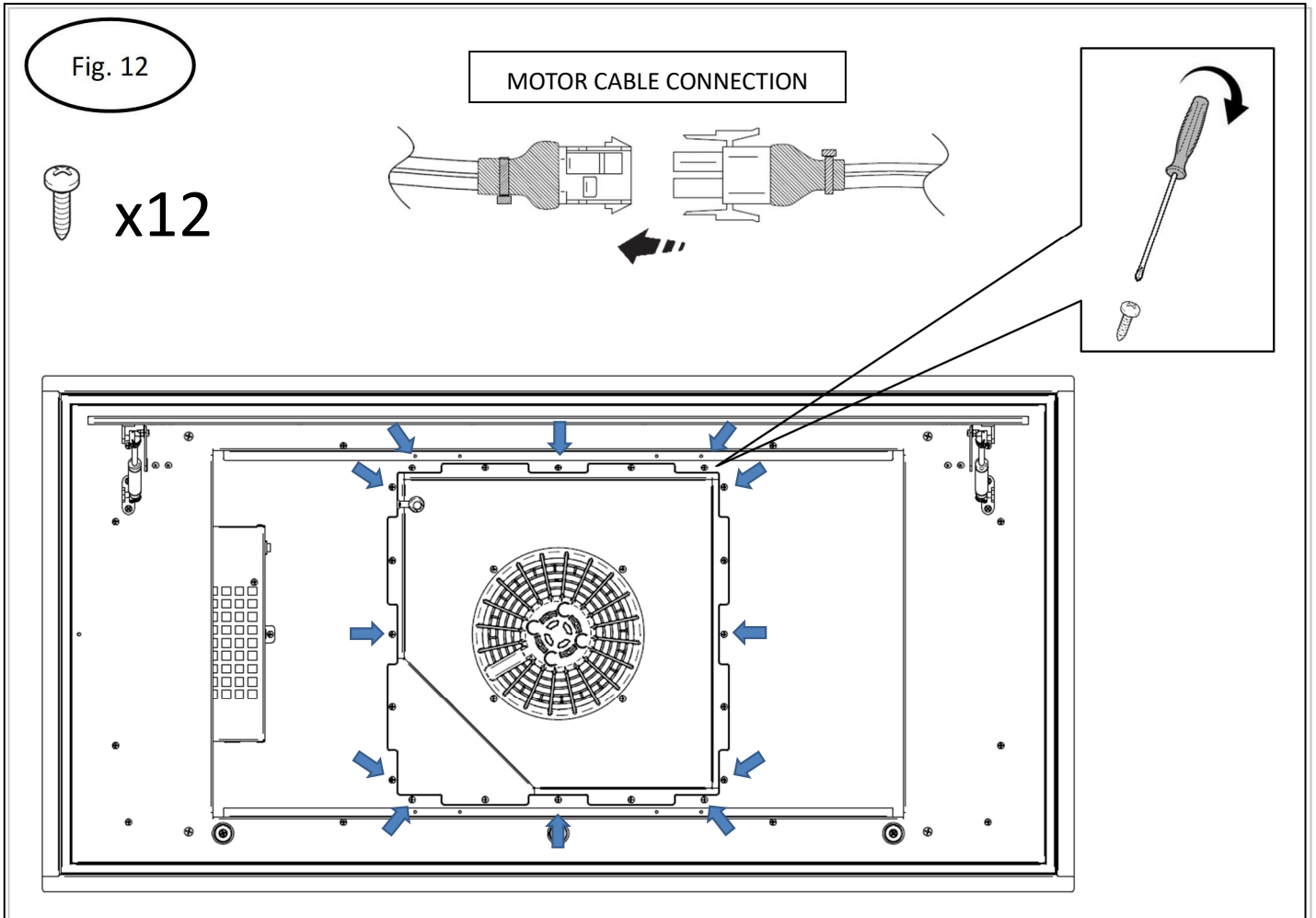


Fig. 13

 x8

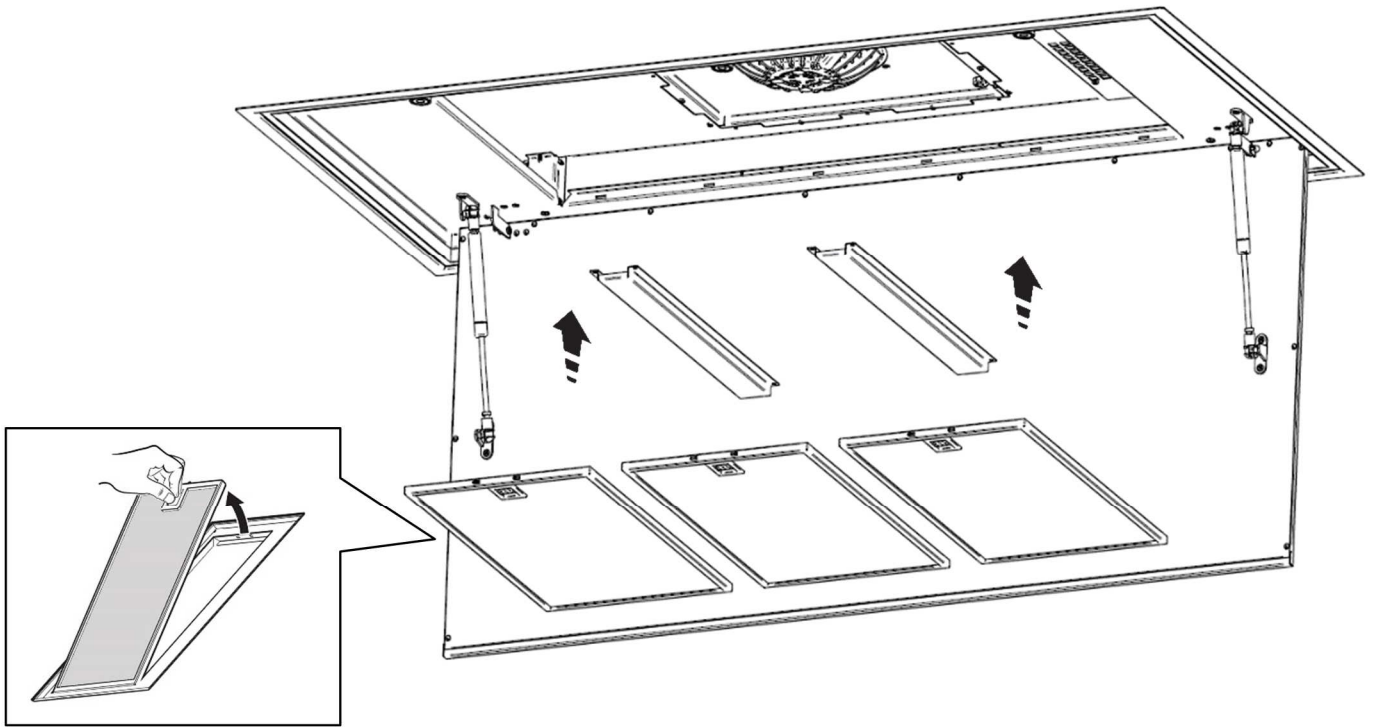


Fig. 14

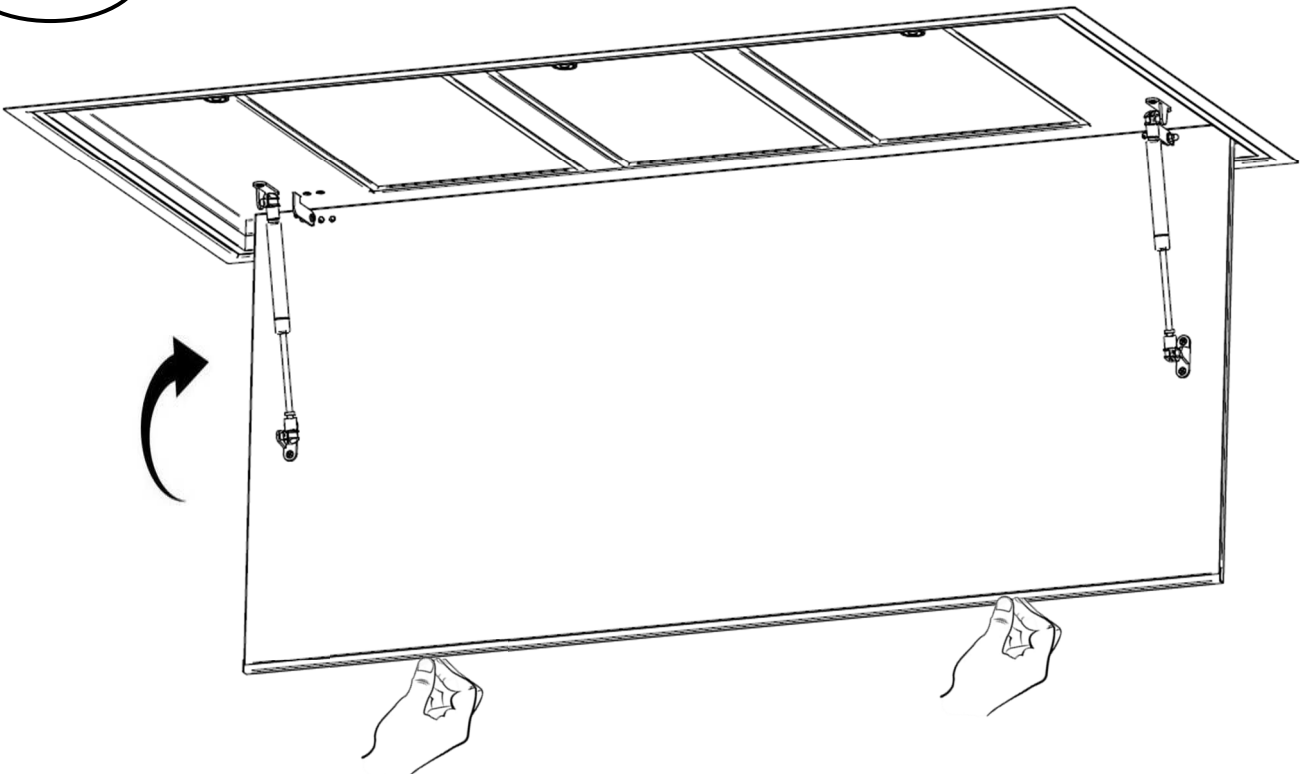


Fig. 15

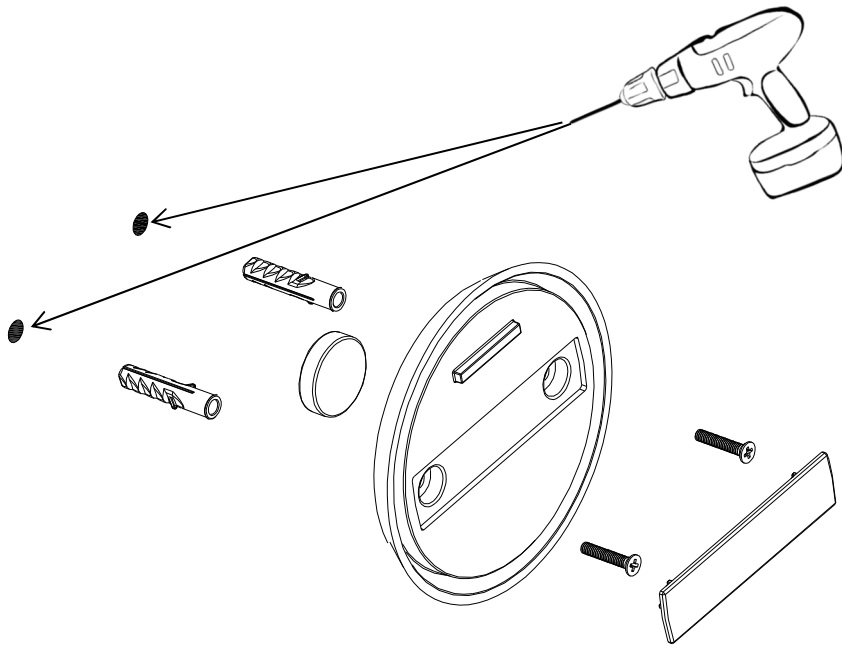
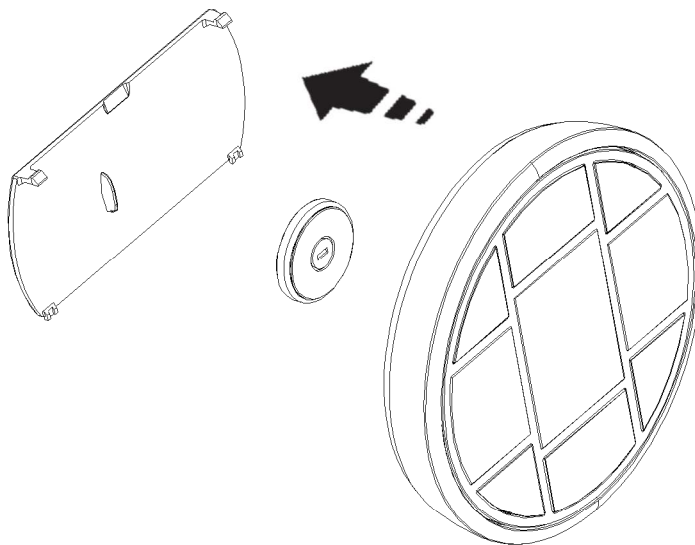


Fig. 16



SAFETY WARNING

- This appliance has been designed for domestic use in the household environment. Never use the appliance for professional or industrial use.
- This appliance can be operated by children over the age of 8 and by people with impaired physical, sensorial, and mental faculties or without the necessary experience and competence only if properly supervised and if they had been duly provided with the necessary instructions concerning the safe use of the appliance and informed of the potential associated risks and warnings.
- Children shall not be allowed to play with the appliance.
- Safety and warning instructions specified in the user manual shall be strictly followed.
- Caution: Failure to use screws and fixing devices according to instructions specified in this manual, may result in electrical risk.
- The appliance shall not be used by persons (children included) with impaired physical, sensorial, and mental faculties or without the necessary experience and competence unless they have been properly supervised and instructed.
- Cleaning the appliance carefully after each use is very important, as failure to perform regular cleaning may result in fire risk.

- Make sure all the appliance components are not damaged. In such a case, do not carry out installation and contact a qualified technical assistance center.
- Qualified installers shall make any necessary carpentry and installation works in full compliance with directives in force.
- Do not connect the appliance to the electrical network during installation.
- Disconnect the appliance from power supply before carrying out any cleaning or maintenance operation.
- Need to allow the disconnection of the appliance from the mains supply after the installation, through an accessible plug or main switch.
- Steam cleaner should not be used.
- Do not use harsh abrasives or sharp metal scrapers to clean glass since they can scratch the surface, which can cause the glass to break.
- CAUTION: Ensure that the appliance is disconnected (OFF) before replacing the lamp to avoid the possibility of electric shock.
- Do not remove the protective plastic from the hood until it is completely installed, if this plastic is not present in areas that could have a risk of damage during installation. This will avoid damage to the outside of the appliance, something that will not be covered by the guarantee.
-

WARNINGS FOR ELECTRICAL CONNECTION

- Electrical connections shall be approved by a qualified electrician before using the appliance.
- Electrical connection shall be performed by just one qualified electrician, who will be responsible for proper electrical connection of the appliance to power supply.
- Before connecting the appliance to the electrical network, check if voltage, frequency and power values specified in the rating label of the appliance are compatible with home power supply and socket.
- The power cord shall be connected to an omnipolar magneto-thermal breaker with a switch-contact gap of at least 3 mm.
- In case the power cord is damaged, it shall be replaced either by the manufacturer or the technical assistance service or by specialized personnel.
- The power cord shall not enter contact with surfaces whose temperature exceeds 50° C once the appliance has been installed.

WARNINGS FOR OPERATION

- Ventilation must be provided conveniently in the room if a range hood and appliances powered by gas or other fuel used simultaneously.
- If the hood is used simultaneously with appliances that burn gas or other fuels, the room must have sufficient ventilation

(this warning is not applicable for hoods installed in the filtering version).

- Comply with any local standard in force on air exhaust operations.
- If the appliance is used in the recirculation mode, make sure the exhaust duct is in good conditions in case it was not used for long.
- It is not allowed to cook food over open flames (flambe) under the hood.
- Never leave pots unattended when the hob is on: oil contained in the pot might overheat and burn. Fire risk is quite higher when oil is used.
- Grease filters proper maintenance and accurate cleaning are extremely important.
- Clean the hood and the other surfaces regularly in order to avoid any fire risk.
- CAUTION: when the hob is on, accessible parts of the hood might become hot.
- Connection of the exhaust device to exhaust ducts or channels and pipes for room ventilation is not allowed.
- Extracted air shall not be conveyed into a hot air circulation duct.
- Air shall not be discharged into a chimney flue used for fumes from household appliances powered by gas or other fuels (this

is not applicable in case of hoods working in the recirculation mode)

- Adequately ventilate the room when a cooker hood and other
- Maximum negative pressure in the room shall not exceed 4 Pa (4×10^{-5} bar).
- The room where the hood is being installed shall be provided with an air intake whose capacity shall be greater than the hood exhaust device one. It is strictly forbidden to place the limbs or any other part of the human body, as well as cooking objects or other objects, near the extractable unit of the hood (if your appliance is equipped with it).
- Range hoods and other cooking fume extractors may adversely affect the safe operation of appliances burning gas or other fuels (including those in other rooms) due to back flow of combustion gases. These gases can potentially result in carbon monoxide poisoning. After installation of a range hood or other cooking fume extractor, the operation of open flued gas appliances should be tested by a competent person to ensure that back flow of combustion gases does not occur.

For a safe use of the product and to know all the features and performances:

- **Carefully read this instruction manual for use before installation and commissioning.**

- **Attention especially to safety warnings!**
- **The appliance may only be used as described in this instruction manual.**
- **Keep the instruction manual.**
- **If you give the appliance to a third party, also give the instruction manual.**

Dear Customer,
thank you for choosing us!

Congratulations for having purchased your new kitchen hood.

In order to use the appliance safely and to better know all of its features and performances:

- Read this instructions manual carefully before installing and switching the appliance on.
- Special attention shall be paid to safety warnings!
- The appliance shall only be used according to instructions given in this user manual.
- Keep this instruction manual for further reference.

In case the appliance is given to third party, the instructions manual shall also be given.

GENERAL INFORMATION

When exchanging information with the appliance MANUFACTURER, please refer to the serial number and identification data specified in the rating label.

This appliance has been designed, tested and manufactured in full compliance with any relevant standards on:

- Safety: CEI/EN 60335-1; CEI/EN 60335-2-31;
- Performance: CEI/EN 61591; CEI/EN 60704-1; CEI/EN 60704-2-13; EN 50564; CEI 62301.
- EMC: EN 55014-1; EN 55014-2; CEI/EN 61000-3-2; CEI/EN 61000-3-3.

Recommendations for proper use of the appliance aimed at reducing environmental impact: when you start cooking, switch the hood on at minimum speed and switch it off only few minutes after you finished cooking. Increase the hood speed only in case of large amounts of vapours and fumes, and use the booster function only when absolutely necessary. Clean the grease filter only when necessary, in order to keep its efficiency over time. Use a piping system having the maximum diameter specified in this manual, in order to increase efficiency and reduce noise levels.



The symbol on the appliance or on its documentation indicates that this product shall not be treated as household waste, but it shall be handed over to a specific collection point for the recycling of electrical and electronic equipment. Proper disposal of this appliance will help reduce raw materials consumption and environmental pollution. For more detailed information about recycling of this appliance, please contact your local city office, your household waste disposal service or the shop where you purchased the appliance.

Spare Parts

Use original spare parts only.

Replace components before they are worn out. Perform regular maintenance checks, as detailed in the "MAINTENANCE" section.

Warranty

In order to enjoy the MANUFACTURER'S warranty, users shall strictly follow all the instructions specified in this manual, they shall:

- use the hood only for its intended purposes;
- perform continuous and scrupulous maintenance Operations;
- allow the use of the hood only to persons with proven skills and know-how.

Failure to comply with the instructions contained in this manual will immediately void the manufacturer's warranty.

INSTALLATION INSTRUCTIONS

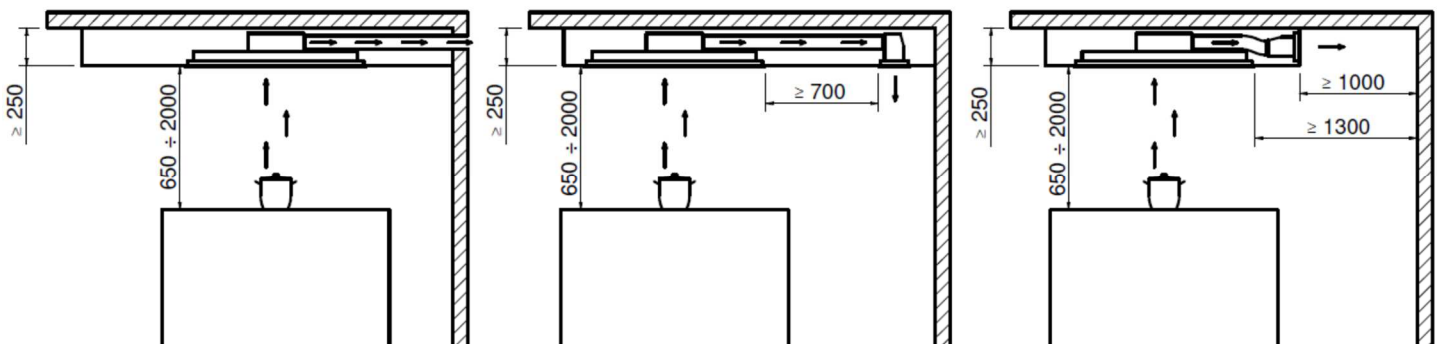
- Installation and electrical connection operations shall be performed according to these instructions and by qualified and specialized personnel.
- Wear protective gloves before and during installation.
- Check that no accessory material provided with the appliance (manuals, accessories, etc) is placed inside the hood: in such a case remove and keep them.
- Figures shown in this installation manual might also refer to different aesthetics of the appliance: in any case use, installation and maintenance instructions remains the same.

Minimum installation safety distance

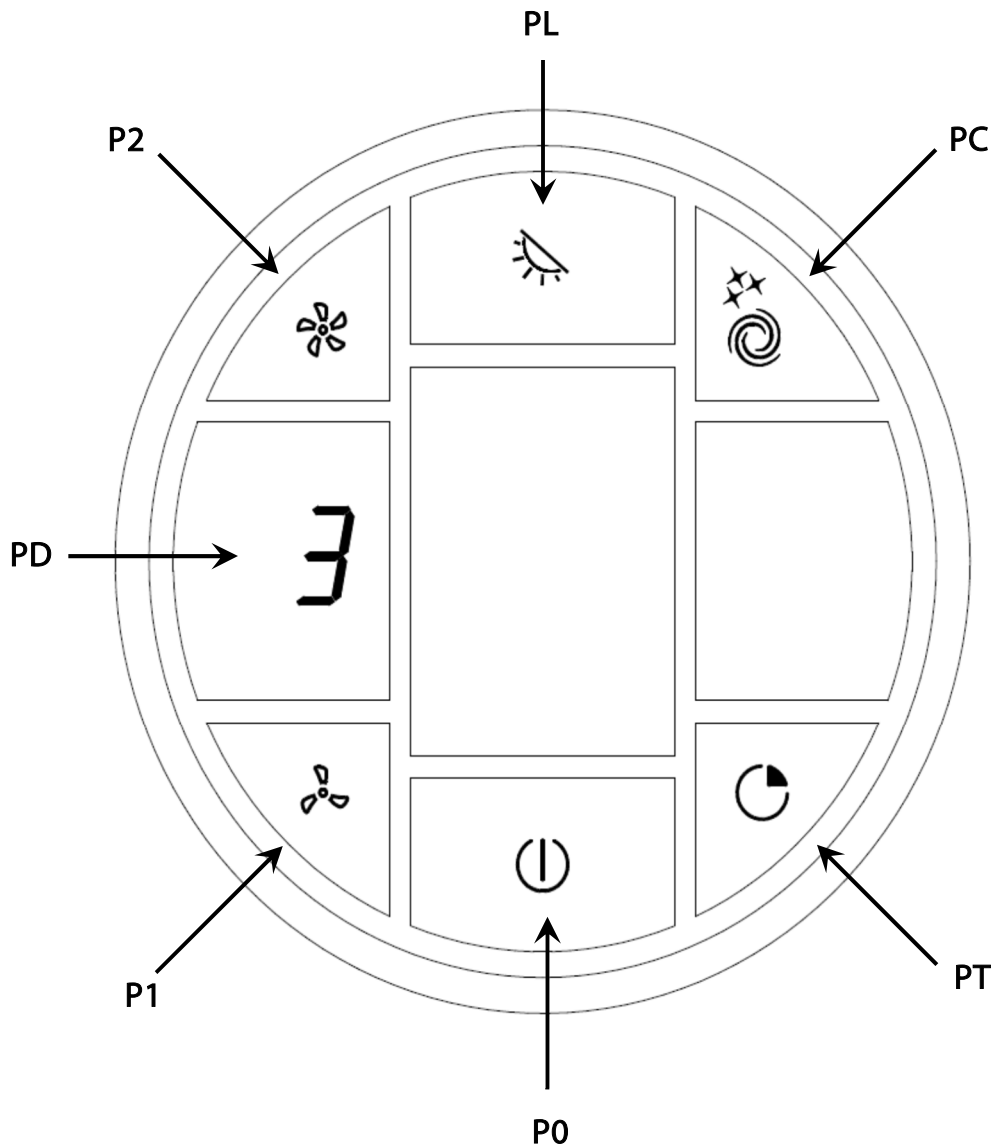
The distance between an electric hob and the lower part of the hood must be at least 550 mm, while between a gas hob and the lower part of the hood must be minimum 650 mm.

The recommended installation distance between the ceiling hood and the hob is between 1300 and 1500mm, while the maximum distance is 2000mm.

This hood is designed to be installed on the ceiling both in the **ASPIRATING** version with evacuation of fumes to the outside and in the **FILTERING** version by purchasing the appropriate kit.



CONTROL INSTRUCTION



The remote control will arrive already programmed with the hood, if for any reason the remote control loses communication with the hood, perform the following procedure:

- Disconnect the hood from the power supply;
- Wait a few seconds and restore the power and within 10 seconds press the “P1” and “PT” buttons at the same time for about 3 seconds.

The remote control will be operational again.

FUNCTIONS

P0: MOTOR ON / OFF key.

If selected with the engine off, the display shows a zero “0” for about 1 second.

P1: key to decrease the motor speed, if the hood is in 1st speed it switches off the motor.

P2: key to increase the motor speed, if the hood is off it switches on the 1st speed, pressing a second time activates the 2nd speed, pressing a third time activates the 3rd speed, pressing a fourth time activates the 4th speed, pressing a fifth time activates the 5th speed (1st speed intensive) (**), pressing a sixth time activates the 6th speed (2nd speed intensive) (**).

The numbers of the selected speeds appear on the display (“1”, “2”, “3”, “4”, “5”, “6”).

(**) Intensive speeds: the duration of the intensive speeds is 6 minutes after which the electronics automatically return to 4th speed.

PL: LIGHTS ON / OFF key

Light intensity: by pressing the "PL" button for a long time with the lights on, the intensity of the light will begin to decrease until it reaches the minimum value; releasing the button interrupts the descent of the light intensity. Once the minimum value is reached and by pressing the "PL" key again for a long time, the light intensity will begin to increase until it reaches the maximum value; if released, it stops at the brightness reached.

Color temperature: with the hood off and the lights off, press and hold the "PL" button until the LED on the hood comes on to enter the dynamic light menu. With single presses of the "PL" key you will have the variation of the color tone of the light from 2700 ° K to 4000 ° K in 10 steps. Once the desired tone has been reached, you will have to wait 10 seconds, the LED on the hood will stop flashing and the function will be memorized.

PC: ON / OFF CLEAN AIR key (a "C" appears on the display) when this function is activated, the motor is set at maximum speed for about 6 minutes, at the end of the 6 minutes the motor will switch off automatically.

To deactivate this function, press the "PC" key or the "P0" key.

Note: this function can only be activated with the hood on and has priority over all the other active motor functions.

PT: TIMER button (a "T" appears on the display)

The timer performs a 15-minute countdown and can only be activated with the engine running. The duration of 15 minutes does not change even if the speeds are changed during the countdown.

At the end of the 15 minutes the engine stops.

PD: Display

Buzzer activation / deactivation: by default the hood is supplied with the buzzer active, if you want to deactivate, with the hood off, turn on the lights by pressing the "PL" key, then press and hold the "PT" and "P1" keys until the switching on of the hood led without acoustic signal. If you want to reactivate, repeat the operation described above, the LED will light up and the acoustic signal will be emitted to confirm.

Fresh Air Activation / Deactivation: pressing the "PC" button for a long time with the hood off. This function allows the engine to be switched on at 1st speed for 10 minutes followed by 50 minutes of stand-by. This option remains active during a period of 24 hours. To deactivate the Fresh Air function, press the "PC" or "P0" key again. While the function is active, both with the engine running and in stand-by, the hood LED will flash every 5 seconds.

Note: To save battery power, the display remains active for about 4 seconds, after which it turns off, to view the active functions select any key and the display is reactivated.

HOOD LED INDICATION

In the hood body there is a LED that indicates the operating status of the motor running at speed according to these criteria:

Engine OFF: LED off;

1st speed motor blue LED color;

2nd speed motor green LED color;

3rd speed motor yellow LED color;

4th speed motor red LED color;

5th Speed Motor (Intensive) Magenta LED color (Flashes intermittently for 1 second for 6 minutes and then returns to 4th speed).

6th Speed Motor (Intensive) Pink LED color (Flashes intermittently for 1 second for 6 minutes and then returns to 4th speed).

By activating the timer, the corresponding color LED, depending on the set speed, flashes intermittently for 1 second, at the end of 15 minutes, in non-intensive speeds, the engine turns off and not the lighting. As for the intensive speeds, when the timer is activated, it remains at the set speed for the first 6 minutes and then ends the remaining 9 minutes at the 4th speed.

In the Clean Air function, the light blue LED remains steady, the motor switches to 6th speed and after 6 minutes the motor and not the lighting switches off.

In the Fresh Air function, the Blue LED flashes intermittently for 5 seconds, with the hood off, the engine starts at 1st speed for 10 minutes and then remains off for 50 minutes and so on until the function is switched off.

Metal grease filter cleaning signal

After 30 hours of operation, the Green LED will start flashing for 20 seconds indicating to clean the filters. To reset the filters, with the hood off, press the "P0" key for 3 seconds while the LED is flashing.

Long-life or ceramic filter cleaning signal

After 120 hours of operation, the Red LED will start flashing for 20 seconds indicating to clean the filters. To reset the filters, with the hood off, press the "P0" key for 3 seconds while the LED is flashing.

Each time a button on the remote control is pressed, the hood will emit an acoustic signal to confirm the reception of the signal.

MAINTENANCE

WARNING! Before any cleaning or maintenance operation, remove the hood power supply by removing the cable or disconnecting the main switch in the home. Cleaning and ordinary maintenance must not be done by children without supervision.

Cleaning

The product should frequently be cleaned both internally and externally using a cloth dampened with lukewarm water and neutral non-abrasive liquid detergent.

The metallic grease filters

It has the task of retaining the fat particles from the cooking fumes and preserving the motor of the aspirator, so it is subject to clogging in variable times in relation to the use of the appliance. The filters can be washed in the dishwasher with short wash cycles and at low temperatures, at the latest every 2 months to avoid the risk of fire. After some washes the filter could change color, due to dishwasher salts and detergents. The color change does not affect the functionality of the grease filter.

Ceramic filters

They have the task of retaining odors and purifying the air that is returned to the environment. The ceramic filters can be cleaned in the oven at a temperature of 180/200 ° C for about 45/60 minutes. It is recommendable to replace the ceramic filters every 5 years to assure the best odor elimination.

Lighting

The hood is equipped with lighting based on high efficiency LED technology, low power consumption and very high durability under normal conditions of use.

For replacement, contact the service department.

THE COMPANY MANUFACTURER cannot be held responsible for any damage caused by an improper installation or use of this appliance.

VEILIGHEIDSWAARSCHUWING

- Dit toestel is ontworpen voor huishoudelijk gebruik in een huishoudelijke omgeving. Gebruik het apparaat nooit voor professioneel of industrieel gebruik.
- Dit toestel mag door kinderen ouder dan 8 jaar en door personen met beperkte fysieke, sensorische en mentale vermogens of zonder de nodige ervaring en bekwaamheid alleen worden bediend onder toezicht en op voorwaarde dat zij naar behoren werden geïnformeerd over de nodige instructies betreffende het veilige gebruik van het toestel en over de mogelijke risico's en waarschuwingen die ermee gepaard gaan.
- Kinderen mogen niet met het toestel spelen.
- De in de gebruiksaanwijzing vermelde veiligheidsinstructies en waarschuwingen moeten strikt worden opgevolgd.
- Let op: Het niet gebruiken van schroeven en bevestigingsmiddelen volgens de instructies in deze handleiding, kan leiden tot elektrische risico's.
- Het apparaat mag niet worden gebruikt door personen (kinderen inbegrepen) met verminderde fysieke, zintuiglijke en mentale vermogens of zonder de nodige ervaring en bekwaamheid, tenzij zij behoorlijk onder toezicht staan en instructies hebben gekregen.

- Het is van groot belang dat het apparaat na elk gebruik zorgvuldig wordt schoongemaakt, aangezien het niet regelmatig schoonmaken brandgevaar kan opleveren.
- Controleer of alle onderdelen van het toestel onbeschadigd zijn. Voer in dat geval de installatie niet uit en neem contact op met een gekwalificeerd technisch assistentiecentrum uw leverancier.
- Gekwalificeerde installateurs voeren alle noodzakelijke timmer- en installatiewerkzaamheden uit, met volledige inachtneming van de geldende richtlijnen.
- Sluit het apparaat tijdens de installatie niet aan op het elektriciteitsnet.
- Koppel het apparaat los van het elektriciteitsnet alvorens reinigings- of onderhoudswerkzaamheden uit te voeren.
- Na de installatie moet het apparaat van het elektriciteitsnet kunnen worden losgekoppeld door middel van een toegankelijke stekker of hoofdschakelaar.
- Stoomreiniger mag niet worden gebruikt.
- Gebruik geen scherpe schuurmiddelen of scherpe metalen schrapers om glas schoon te maken, aangezien deze krassen op het oppervlak kunnen veroorzaken, waardoor het glas kan breken.
- LET OP: Zorg ervoor dat het apparaat is losgekoppeld (UIT) voordat u de lamp vervangt, om de kans op elektrische schokken te voorkomen.

- Verwijder het beschermende plastic pas van de kap wanneer deze volledig geïnstalleerd is, indien dit plastic niet aanwezig is op plaatsen waar tijdens de installatie een risico op beschadiging zou kunnen bestaan. Zo voorkomt u beschadigingen aan de buitenkant van het toestel, iets wat niet onder de garantie valt.

WAARSCHUWINGEN VOOR ELEKTRISCHE AANSLUITING

- De elektrische aansluitingen moeten worden goedgekeurd door een gekwalificeerde elektricien alvorens het toestel in gebruik te nemen.

- De elektrische aansluiting mag uitsluitend worden uitgevoerd door een gekwalificeerde elektricien, die verantwoordelijk is voor de juiste elektrische aansluiting van het apparaat op het elektriciteitsnet.

- Voordat het apparaat op het elektriciteitsnet wordt aangesloten, moet worden gecontroleerd of de spanning, frequentie en vermogenswaarden die op het typeplaatje van het apparaat staan vermeld, compatibel zijn met het elektriciteitsnet en het stopcontact in huis.

- Het netsnoer moet worden aangesloten op een omnipolaire magneto-thermische stroomonderbreker met een schakelcontactopening van ten minste 3 mm.

- Indien het netsnoer beschadigd is, moet het worden vervangen door de fabrikant of de technische hulpdienst of door gespecialiseerd personeel.

- Het netsnoer mag niet in contact komen met oppervlakken waarvan de temperatuur hoger is dan 50° C nadat het apparaat is geïnstalleerd.

WAARSCHUWINGEN VOOR DE BEDIENING

- Bij gelijktijdig gebruik van een afzuigkap en toestellen die op gas of een andere brandstof werken, moet voor voldoende ventilatie in de ruimte worden gezorgd.

- Als de afzuigkap gelijktijdig wordt gebruikt met toestellen die op gas of een andere brandstof werken, moet de ruimte voldoende worden geventileerd (deze waarschuwing geldt niet voor afzuigkappen die in de filteruitvoering zijn geïnstalleerd).

- Voldoe aan alle geldende plaatselijke normen inzake luchtafvoer.

- Als het apparaat in de recirculatiestand wordt gebruikt, zorg er dan voor dat uitlaatkanaal in goede staat is in het geval het apparaat lange tijd niet is gebruikt.

- Het is niet toegestaan voedsel te koken boven open vuur (flamberen) onder de afzuigkap.

- Laat pannen nooit onbeheerd achter wanneer de kookplaat aanstaat: olie in de pan kan oververhit raken en verbranden. Het brandrisico is veel groter wanneer olie wordt gebruikt.

- Vetfilters goed onderhouden en nauwkeurige reiniging zijn uiterst belangrijk.

- Reinig de afzuigkap en de andere oppervlakken regelmatig om elk brandgevaar te vermijden.

- LET OP: wanneer de kookplaat aan staat, kunnen bereikbare delen van de afzuigkap heet worden.
- Aansluiting van het afzuigtoestel op afvoerkanalen of kanalen en leidingen voor ruimteventilatie is niet toegestaan.
- Afgevoerde lucht mag niet in een warmeluchtcirculatiekanaal worden geleid.
- De lucht mag niet worden afgevoerd naar een schoorsteenkanaal dat wordt gebruikt voor dampen van huishoudelijke apparaten die op gas of andere brandstoffen werken (dit geldt niet voor afzuigkappen die in de recirculatiestand werken).
- Ventileer de ruimte voldoende wanneer een afzuigkap en andere apparaten die niet op elektriciteit werken tegelijkertijd worden gebruikt.
- De maximale onderdruk in de ruimte mag niet hoger zijn dan 4 Pa (4×10^{-5} bar).
- De ruimte waar de afzuigkap wordt geïnstalleerd, moet voorzien zijn van een luchtinlaat waarvan de capaciteit groter is dan die van de afzuigkap. Het is ten strengste verboden de ledematen of enig ander deel van het menselijk lichaam, alsook kook- of andere voorwerpen, in de buurt van de afzuigunit van de afzuigkap te plaatsen (indien uw toestel daarmee is uitgerust).
- Afzuigkappen en andere afzuigkappen voor kookdampen kunnen de veilige werking van toestellen die gas of andere

brandstoffen verbranden (ook die in andere ruimten) nadelig beïnvloeden door terugstroming van verbrandingsgassen. Deze gassen kunnen leiden tot koolmonoxidevergiftiging. Na de installatie van een afzuigkap of een andere afzuiginstallatie voor kookdampen moet de werking van open gasverbruikstoestellen door een bevoegd persoon worden getest om er zeker van te zijn dat er geen terugstroming van verbrandingsgassen optreedt.

Voor een veilig gebruik van het product en om alle kenmerken en prestaties te kennen:

- **Lees deze gebruiksaanwijzing vóór installatie en inbedrijfstelling aandachtig door.**
- **Let vooral op de veiligheidswaarschuwingen!**
- **Het apparaat mag alleen worden gebruikt zoals beschreven in deze gebruiksaanwijzing.**
- **Bewaar de gebruiksaanwijzing.**
- **Indien u het apparaat aan derden geeft, geef dan ook de gebruiksaanwijzing mee.**

Geachte klant,
bedankt dat u voor ons gekozen heeft!

Gefeliciteerd met de aankoop van uw nieuwe afzuigkap.

Om het toestel veilig te kunnen gebruiken en om beter op de hoogte te zijn van alle functies en prestaties:

- Lees deze gebruiksaanwijzing zorgvuldig door voordat u het toestel installeert en inschakelt.
- Speciale aandacht moet worden besteed aan de veiligheidswaarschuwingen!
- Het apparaat mag uitsluitend worden gebruikt volgens de aanwijzingen in deze gebruiksaanwijzing.
- Bewaar deze gebruiksaanwijzing voor verdere raadpleging.

Indien het apparaat aan derden wordt gegeven, moet de gebruiksaanwijzing ook worden meegegeven.

ALGEMENE INFORMATIE

Bij het uitwisselen van informatie met de fabrikant van het toestel, dient u te refereren aan het serienummer en de identificatiegegevens die op het typeplaatje vermeld staan.

Dit toestel werd ontworpen, getest en vervaardigd in volledige overeenstemming met alle relevante normen inzake:

- Veiligheid: CEI/EN 60335-1; CEI/EN 60335-2-31;
 - Prestaties: CEI/EN 61591; CEI/EN 60704-1; CEI/EN 60704-2-13; EN 50564; CEI 62301.
- EMC: EN 55014-1; EN 55014-2; CEI/EN 61000-3-2; CEI/EN 61000-3-3.

Aanbevelingen voor een correct gebruik van het toestel met het oog op de vermindering van de milieu-impact: wanneer u begint te koken, zet u de afzuigkap aan op de minimale snelheid en zet u ze pas uit enkele minuten nadat u klaar bent met koken. Verhoog de snelheid van de afzuigkap alleen in geval van grote hoeveelheden dampen en rook, en gebruik de boosterfunctie alleen wanneer dit absoluut noodzakelijk is. Reinig het vetfilter alleen wanneer dat nodig is, zodat het in de loop van de tijd efficiënt blijft werken. Gebruik een leidingstelsel met de maximale diameter zoals aangegeven in deze handleiding, om de efficiëntie te verhogen en het geluidsniveau te verlagen.



Het symbool op het apparaat of op de documentatie ervan geeft aan dat dit product niet als huishoudelijk afval mag worden behandeld, maar moet worden afgegeven bij een specifiek inzamelpunt voor de recycling van elektrische en elektronische apparatuur. Een correcte verwijdering van dit toestel zal het verbruik van grondstoffen en de milieuvervuiling helpen verminderen. Voor nadere informatie over de recycling van dit toestel kunt u contact opnemen met uw gemeente, uw huisvuilverwijderingsdienst of de winkel waar u het toestel hebt gekocht.

Onderdelen

Gebruik alleen originele reserveonderdelen.

Vervang onderdelen voordat ze versleten zijn. Voer regelmatig onderhoudscontroles uit, zoals beschreven in het hoofdstuk "ONDERHOUD".

Garantie

Om van de garantie van de fabrikant te kunnen genieten, moeten de gebruikers alle aanwijzingen in deze handleiding strikt opvolgen, in het bijzonder moeten zij

- de kap uitsluitend voor het beoogde doel gebruiken;
- voortdurend en nauwgezet onderhoud Overrichten;
- de kap alleen laten gebruiken door personen met bewezen vaardigheden en kennis.

Bij niet-naleving van de instructies in deze handleiding vervalt onmiddellijk de garantie van de fabrikant.

INSTALLATIE-INSTRUCTIES

- De installatie en de elektrische aansluitingen moeten worden uitgevoerd volgens deze instructies en door gekwalificeerd en gespecialiseerd personeel.
- Draag beschermende handschoenen voor en tijdens de installatie.

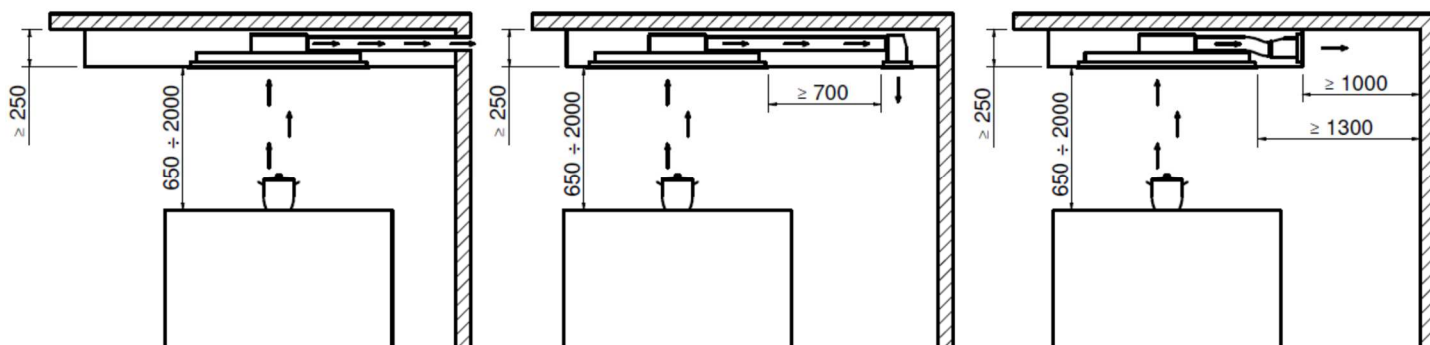
- Controleer of er geen bij het apparaat geleverd toebehoren (handleidingen, accessoires, enz.) in de kap is geplaatst: verwijder ze in dat geval en bewaar ze.
- De afbeeldingen in deze installatiehandleiding kunnen ook betrekking hebben op verschillende uitvoeringen van het toestel: in elk geval blijven de gebruiks-, installatie- en onderhoudsinstructies dezelfde.

Minimum veiligheidsafstand bij installatie

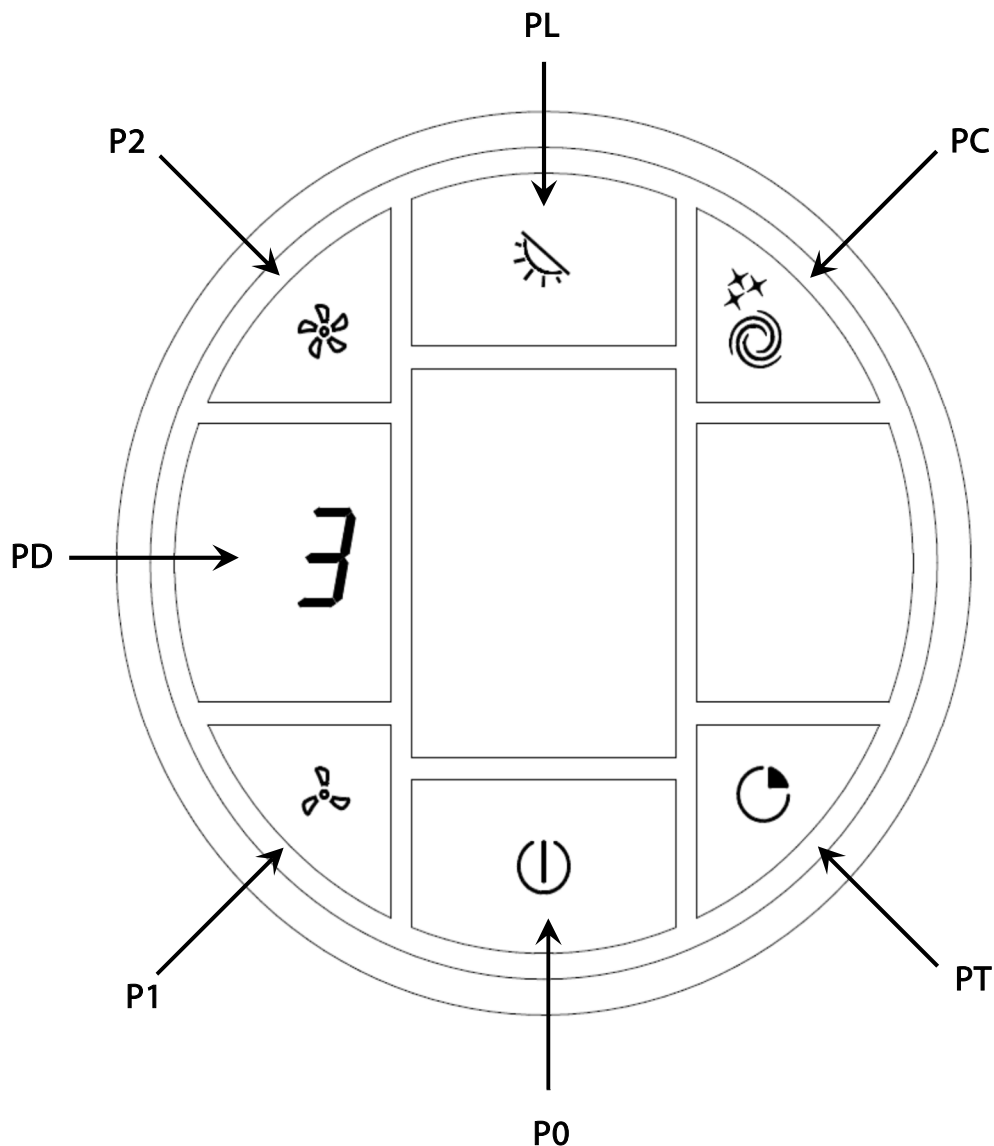
De afstand tussen een elektrische kookplaat en het onderste gedeelte van de kap moet minstens 550 mm bedragen, terwijl de afstand tussen een gaskookplaat en het onderste gedeelte van de kap minstens 650 mm moet bedragen.

De aanbevolen installatieafstand tussen de plafondkap en de kookplaat is tussen 1300 en 1500 mm, terwijl de maximale afstand 2000 mm bedraagt.

Deze afzuigkap is ontworpen om zowel in de **AFVOER** versie met afvoer van de rook naar buiten als in de **RECIRCULATIE** versie aan het plafond te worden bevestigd met het passende bevestigings materiaal.



INSTRUCTIE AFSTANDSBEDIENING



De afstandsbediening zal reeds geprogrammeerd aankomen met de kap, indien om welke reden dan ook de afstandsbediening de communicatie met de kap verliest, voer dan de volgende procedure uit:

- Koppel de kap los van de stroomvoorziening;
- Wacht enkele seconden en herstel de stroomtoevoer en druk binnen 10 seconden tegelijkertijd op de toetsen "P1" en "PT" gedurende ongeveer 3 seconden.

De afstandsbediening zal weer operationeel zijn.

FUNCTIES

P0: MOTOR AAN / UIT toets.

Indien geselecteerd met de motor uit, toont de display een nul "0" gedurende ongeveer 1 seconde.

P1: toets om het motortoerental te verlagen, als de kap op 1e snelheid staat schakelt hij de motor uit.

P2: toets om het motortoerental te verhogen, als de kap uit is schakelt hij de 1e snelheid in, een tweede maal indrukken activeert de 2e snelheid, een derde maal indrukken activeert de 3e snelheid, een vierde maal indrukken activeert de 4e snelheid, een vijfde maal indrukken

activeert de 5e snelheid (1e snelheid intensief) (**), een zesde maal indrukken activeert de 6e snelheid (2e snelheid intensief) (**).

De nummers van de geselecteerde snelheden verschijnen op het display ("1", "2", "3", "4", "5", "6").

(**) Intensieve snelheden: de duur van de intensieve snelheden bedraagt 6 minuten, waarna de elektronica automatisch terugkeert naar de 4e snelheid.

PL: LICHTEN AAN / UIT toets

Lichtintensiteit: door de toets "PL" lang in te drukken terwijl de lichten branden, begint de intensiteit van het licht af te nemen tot de minimumwaarde is bereikt; door de toets los te laten wordt de afname van de lichtintensiteit onderbroken. Zodra de minimumwaarde is bereikt en door nogmaals lang op de toets "PL" te drukken, begint de lichtintensiteit te stijgen tot de maximumwaarde is bereikt; als u de toets loslaat, stopt de lichtintensiteit bij de bereikte helderheid.

Kleurtemperatuur: met de kap uit en de lichten uit, houdt u de "PL"-toets ingedrukt tot de LED op de kap gaat branden om het dynamische lichtmenu te openen. Met een enkele druk op de "PL"-toets heeft u de variatie van de kleurtoon van het licht van 2700 ° K tot 4000 ° K in 10 stappen. Zodra de gewenste toon is bereikt, moet u 10 seconden wachten, de LED op de kap zal stoppen met knipperen en de functie zal worden opgeslagen.

PC: ON / OFF CLEAN AIR toets (op het display verschijnt een "C") wanneer deze functie geactiveerd is, wordt de motor gedurende ongeveer 6 minuten op maximale snelheid ingesteld, aan het einde van de 6 minuten schakelt de motor automatisch uit.

Om deze functie uit te schakelen, drukt u op de "PC" toets of de "P0" toets.

Opmerking: deze functie kan alleen worden geactiveerd met de kap aan en heeft voorrang op alle andere actieve motorfuncties.

PT: TIMER toets (een "T" verschijnt op het display)

De timer voert een aftelling van 15 minuten uit en kan alleen worden geactiveerd met draaiende motor.

De duur van 15 minuten verandert niet, ook niet als de toerentallen tijdens het aftellen worden gewijzigd.

Aan het einde van de 15 minuten stopt de motor.

PD: Weergave

Activering / deactivering van de zoemer: standaard wordt de kap geleverd met de zoemer actief, indien u wenst te deactiveren, met de kap uit, zet dan de lichten aan door de "PL" toets in te drukken, hou dan de "PT" en "P1" toetsen ingedrukt tot het inschakelen van de kap zonder akoestisch signaal geleid. Indien u de kap opnieuw wenst in te schakelen, herhaalt u de hierboven beschreven handeling, de LED zal oplichten en het geluidssignaal zal klinken ter bevestiging.

Activering / Deactivering verse lucht: lang indrukken van de toets "PC" met de kap uitgeschakeld. Met deze functie kan de motor gedurende 10 minuten op 1e snelheid worden ingeschakeld, gevolgd door 50 minuten stand-by. Deze optie blijft actief gedurende een periode van 24 uur. Om de Fresh Air-functie uit te schakelen, drukt u opnieuw op de toets "PC" of "P0". Terwijl de functie actief is, zowel met draaiende motor als in stand-by, knippert de LED van de motorkap om de 5 seconden.

Opmerking: Om de batterij te sparen, blijft het display ongeveer 4 seconden actief, daarna schakelt het uit, om de actieve functies te bekijken selecteert u een willekeurige toets en het display wordt weer geactiveerd.

LED INDICATIE KAP

In de kapbehuizing bevindt zich een LED die de werkingsstatus van de motor aangeeft, die op snelheid draait volgens deze criteria:

Motor UIT: LED uit;

Motor 1e snelheid Blauwe LED kleur;

2e snelheid motor Kleur groene LED;

3e snelheid motor Gele LED-kleur;

4e snelheid motor Rode LED-kleur;

5e snelheid motor (intensief) Magenta LED-kleur (knippert met tussenpozen van 1 seconde gedurende 6 minuten en keert dan terug naar 4e snelheid).

Motor 6e snelheid (Intensief) Roze LED-kleur (Knippert met tussenpozen gedurende 1 seconde gedurende 6 minuten en keert dan terug naar 4e snelheid).

Door het activeren van de timer, knippert de corresponderende kleur LED, afhankelijk van de ingestelde snelheid, met tussenpozen van 1 seconde, aan het einde van de 15 minuten, bij de niet-intensieve snelheden, schakelt de motor uit en niet de verlichting. Wat de intensieve snelheden betreft, wanneer de timer geactiveerd is, blijft hij de eerste 6 minuten op de ingestelde snelheid en eindigt dan de resterende 9 minuten op de 4e snelheid.

In de Clean Air functie blijft de lichtblauwe LED constant, de motor schakelt over naar de 6e snelheid en na 6 minuten schakelt de motor en niet de verlichting uit.

In de Fresh Air functie knippert de blauwe LED met tussenpozen van 5 seconden, met de kap uit, de motor start op 1e snelheid gedurende 10 minuten en blijft dan uit gedurende 50 minuten enzovoort totdat de functie wordt uitgeschakeld.

Metalen vetfilter reinigingssignaal

Na 30 bedrijfsuren begint de groene LED gedurende 20 seconden te knipperen om aan te geven dat de filters moeten worden gereinigd. Om de filters opnieuw in te stellen, terwijl de kap uitgeschakeld is, drukt u gedurende 3 seconden op de toets "P0" terwijl de LED knippert.

Reinigingssignaal voor lange levensduur of keramische filters

Na 120 uur werking begint de rode LED gedurende 20 seconden te knipperen om aan te geven dat de filters moeten worden gereinigd. Om de filters opnieuw in te stellen, drukt u, met de kap uit, 3 seconden op de toets "P0" terwijl de LED knippert.

Telkens wanneer een toets van de afstandsbediening wordt ingedrukt, zal de kap een geluidssignaal afgeven om de ontvangst van het signaal te bevestigen.

ONDERHOUD

WAARSCHUWING! Alvorens reinigings- of onderhoudswerkzaamheden uit te voeren, moet de stroomtoevoer van de kap worden onderbroken door de kabel te verwijderen of de hoofdschakelaar in het huis los te koppelen. Reiniging en gewoon onderhoud mogen niet door kinderen zonder toezicht worden uitgevoerd.

Reiniging

Het product moet regelmatig zowel in- als uitwendig worden gereinigd met een doek die is bevochtigd met lauw water en een neutraal, niet-schurend vloeibaar reinigingsmiddel.

De metalen vetfilters

Deze hebben tot taak de vetdeeltjes van de kookdampen tegen te houden en de motor van de afzuigkap te beschermen, en zijn dus onderhevig aan verstopping in wisselende tijden, afhankelijk van het gebruik van het apparaat. De filters kunnen in de afwasmachine worden gewassen met korte wascycli en op lage temperaturen, ten laatste om de 2 maanden om brandgevaar te vermijden. Na enkele wasbeurten kan het filter van kleur veranderen, als gevolg van zouten en detergents in de vaatwasser. De kleurverandering heeft geen invloed op de functionaliteit van het vetfilter.

Keramische filters

Zij hebben tot taak geuren tegen te houden en de lucht te zuiveren die wordt teruggevoerd in de omgeving.

De keramische filters kunnen worden gereinigd in de oven bij een temperatuur van 180/200 ° C gedurende ongeveer 45/60 minuten. Het is aan te bevelen de keramische filters om de 5 jaar te vervangen om de beste geurverwijdering te garanderen.

Verlichting

De afzuigkap is uitgerust met verlichting op basis van hoog rendement LED technologie, laag stroomverbruik en zeer hoge duurzaamheid onder normale gebruiksomstandigheden.

Neem voor vervanging contact op met de service-afdeling.

DE FABRIKANT kan niet aansprakelijk worden gesteld voor eventuele schade veroorzaakt door een onjuiste installatie of gebruik van dit apparaat.

ALERTE DE SÉCURITÉ

- Cet appareil a été conçu pour un usage domestique dans l'environnement domestique. N'utilisez jamais l'appareil à des fins professionnelles ou industrielles.
- Cet appareil ne peut être utilisé par des enfants de plus de 8 ans et par des personnes ayant des facultés physiques, sensorielles et mentales altérées ou sans l'expérience et les compétences nécessaires que s'ils sont correctement supervisés et s'ils ont reçu les instructions nécessaires concernant l'utilisation en toute sécurité. de l'appareil et informé des risques et avertissements potentiels associés.
- Les enfants ne doivent pas être autorisés à jouer avec l'appareil.
- Les consignes de sécurité et d'avertissement spécifiées dans le manuel d'utilisation doivent être strictement suivies.
- Attention: Ne pas utiliser les vis et dispositifs de fixation selon instructions spécifiées dans ce manuel, peut entraîner un risque électrique.
- L'appareil ne doit pas être utilisé par des personnes (enfants inclus) ayant des facultés physiques, sensorielles et mentales altérées ou sans l'expérience et les compétences nécessaires à moins qu'elles n'aient été correctement supervisées et instruites.

- Il est très important de nettoyer soigneusement l'appareil après chaque utilisation, car le non-respect d'un nettoyage régulier peut entraîner un risque d'incendie.
- Assurez-vous que tous les composants de l'appareil ne sont pas endommagés. Dans un tel cas, n'effectuez pas l'installation et contactez un centre d'assistance technique qualifié.
- Les installateurs qualifiés réalisent les travaux de menuiserie et d'installation nécessaires dans le strict respect des directives en vigueur.
- Ne connectez pas l'appareil au réseau électrique pendant l'installation.
- Débrancher l'appareil du secteur avant d'effectuer toute opération de nettoyage ou d'entretien.
- Nécessité de permettre la déconnexion de l'appareil du secteur après l'installation, par une prise ou un interrupteur principal accessible.
- Ne pas utiliser de nettoyeur vapeur.
- N'utilisez pas d'abrasifs durs ou de grattoirs métalliques tranchants pour nettoyer le verre car ils peuvent rayer la surface, ce qui peut provoquer la rupture du verre.
- **ATTENTION:** Assurez-vous que l'appareil est débranché (OFF) avant de remplacer la lampe pour éviter tout risque de choc électrique.

- Ne retirez pas le plastique de protection de la hotte tant qu'elle n'est pas complètement installée, si ce plastique n'est pas présent dans des zones qui pourraient présenter un risque de dommages lors de l'installation. Cela évitera d'endommager l'extérieur de l'appareil, ce qui ne sera pas couvert par la garantie.

AVERTISSEMENTS POUR LE RACCORDEMENT

ÉLECTRIQUE

- Les connexions électriques doivent être approuvées par un électricien qualifié avant d'utiliser l'appareil.
- Le raccordement électrique doit être effectué par un seul électricien qualifié, qui sera responsable du bon raccordement électrique de l'appareil à l'alimentation électrique.
- Avant de connecter l'appareil au réseau électrique, vérifiez si les valeurs de tension, de fréquence et de puissance spécifiées sur la plaque signalétique de l'appareil sont compatibles avec l'alimentation et la prise de courant domestiques.
- Le cordon d'alimentation doit être connecté à un disjoncteur magnéto-thermique omnipolaire avec un écartement des interrupteurs d'au moins 3 mm.
- Si le cordon d'alimentation est endommagé, il doit être remplacé soit par le fabricant, soit par le service d'assistance technique, soit par du personnel spécialisé.

- Le cordon d'alimentation ne doit pas entrer en contact avec des surfaces dont la température dépasse 50°C une fois l'appareil installé.

AVERTISSEMENTS POUR LE FONCTIONNEMENT

- Une ventilation doit être prévue commodément dans la pièce si une hotte de cuisine et des appareils alimentés au gaz ou autre combustible sont utilisés simultanément.

- Si la hotte est utilisée simultanément avec des appareils fonctionnant au gaz ou à d'autres combustibles, la pièce doit disposer d'une ventilation suffisante (cet avertissement n'est pas applicable pour les hottes installées en version filtrante).

- Se conformer à toute norme locale en vigueur sur les opérations d'évacuation d'air.

- Si l'appareil est utilisé en mode recirculation, assurez-vous que l'évacuation des poussières est dans de bonnes conditions au cas où elle n'aurait pas été utilisée pendant longtemps.

- Il est interdit de cuire des aliments sur des flammes nues (flamme) sous la hotte.

- Ne laissez jamais les casseroles sans surveillance lorsque la table de cuisson est allumée: l'huile contenue dans la casserole pourrait surchauffer et brûler. Le risque d'incendie est beaucoup plus élevé lorsque l'huile est utilisée.

- Un bon entretien et un nettoyage précis des filtres à graisse sont extrêmement importants.

- Nettoyer régulièrement la hotte et les autres surfaces afin d'éviter tout risque d'incendie.
- ATTENTION: lorsque la table de cuisson est allumée, les parties accessibles de la hotte peuvent devenir chaudes.
- Le raccordement du dispositif d'évacuation aux conduits ou canaux d'évacuation et aux tuyaux de ventilation de la pièce n'est pas autorisé.
- L'air extrait ne doit pas être acheminé dans un conduit de circulation d'air chaud.
- L'air ne doit pas être évacué dans un conduit de cheminée utilisé pour les fumées d'appareils électroménagers alimentés au gaz ou à d'autres combustibles (ceci n'est pas applicable en cas de hottes fonctionnant en mode recirculation)
- Aérer adéquatement la pièce lorsqu'une hotte aspirante et autres
- La dépression maximale dans le local ne doit pas dépasser 4 Pa (4×10^{-5} bar).
- Le local où est installée la hotte doit être pourvu d'une prise d'air dont la capacité doit être supérieure à celle du dispositif d'évacuation de la hotte. Il est strictement interdit de placer les membres ou toute autre partie du corps humain, ainsi que des objets de cuisson ou autres, à proximité du bloc extractible de la hotte (si votre appareil en est équipé).
- Les hottes de cuisine et autres extracteurs de fumées de cuisson peuvent nuire au bon fonctionnement des appareils

brûlant du gaz ou d'autres combustibles (y compris ceux des autres pièces) en raison du reflux des gaz de combustion. Ces gaz peuvent potentiellement entraîner une intoxication au monoxyde de carbone. Après l'installation d'une hotte de cuisine ou d'un autre extracteur de fumées de cuisson, le fonctionnement des appareils à gaz à combustion ouverte doit être testé par une personne compétente pour s'assurer qu'il n'y a pas de reflux des gaz de combustion.

Pour une utilisation sûre du produit et pour en connaître toutes les caractéristiques et performances:

- **Lisez attentivement ce manuel d'utilisation avant l'installation et la mise en service.**
- **Attention surtout aux avertissements de sécurité !**
- **L'appareil ne doit être utilisé que comme décrit dans ce manuel d'instructions.**
- **Conservez le manuel d'instructions.**
- **Si vous confiez l'appareil à un tiers, remettez également le manuel d'instructions.**

Cher client,

Merci de nous avoir choisi!

Félicitations pour avoir acheté votre nouvelle hotte de cuisine.

Afin d'utiliser l'appareil en toute sécurité et de mieux connaître toutes ses caractéristiques et performances:

- Lisez attentivement ce manuel d'instructions avant d'installer et d'allumer l'appareil.
- Une attention particulière doit être portée aux avertissements de sécurité !
- L'appareil ne doit être utilisé que conformément aux instructions données dans ce manuel d'utilisation.
- Conservez ce manuel d'instructions pour toute référence ultérieure.
- En cas de cession de l'appareil à un tiers, la notice d'instructions doit également être remise.

INFORMATIONS GÉNÉRALES

Lors de l'échange d'informations avec le FABRICANT de l'appareil, veuillez vous référer au numéro de série et aux données d'identification indiqués sur la plaque signalétique.

Cet appareil a été conçu, testé et fabriqué en totale conformité avec toutes les normes pertinentes sur:

- Sécurité: CEI/EN 60335-1; CEI/EN 60335-2-31;
- Performances: CEI/EN 61591; CEI/EN 60704-1; CEI/EN 60704-2-13; EN 50564; CEI 62301. CEM: EN 55014-1; EN 55014-2; CEI/EN 61000-3-2; CEI/EN 61000-3-3.

Recommandations pour une bonne utilisation de l'appareil visant à réduire l'impact environnemental: lorsque vous commencez à cuisiner, allumez la hotte à vitesse minimale et éteignez-la quelques minutes seulement après la fin de la cuisson. Augmentez la vitesse de la hotte uniquement en cas de grandes quantités de vapeurs et de fumées, et n'utilisez la fonction booster qu'en cas d'absolue nécessité. Nettoyez le filtre à graisse uniquement lorsque cela est nécessaire, afin de conserver son efficacité dans le temps. Utilisez un système de tuyauterie ayant le diamètre maximum spécifié dans ce manuel, afin d'augmenter l'efficacité et de réduire les niveaux de bruit.



Le symbole sur l'appareil ou sur sa documentation indique que ce produit ne doit pas être traité comme un déchet ménager, mais qu'il doit être remis à un point de collecte spécifique pour le recyclage des équipements électriques et électroniques. Une mise au rebut appropriée de cet appareil aidera à réduire la consommation de matières premières et la pollution de l'environnement. Pour plus d'informations sur le recyclage de cet appareil, veuillez contacter votre mairie, votre service d'élimination des déchets ménagers ou le magasin où vous avez acheté l'appareil.

Des pièces de rechange

Utilisez uniquement des pièces de rechange d'origine.

Remplacez les composants avant qu'ils ne soient usés. Effectuez des contrôles d'entretien réguliers, comme détaillé dans la section « ENTRETIEN ».

Garantie

Afin de bénéficier de la garantie du FABRICANT, les utilisateurs doivent suivre scrupuleusement toutes les instructions spécifiées dans ce manuel, en particulier ils doivent :

- n'utiliser la hotte qu'aux fins prévues ;
- effectuer des opérations de maintenance continue et scrupuleuse ;
- autoriser l'utilisation de la hotte uniquement aux personnes ayant des compétences et un savoir-faire avérés.

Le non-respect des instructions contenues dans ce manuel annulera immédiatement la garantie du fabricant.

INSTRUCTIONS D'INSTALLATION

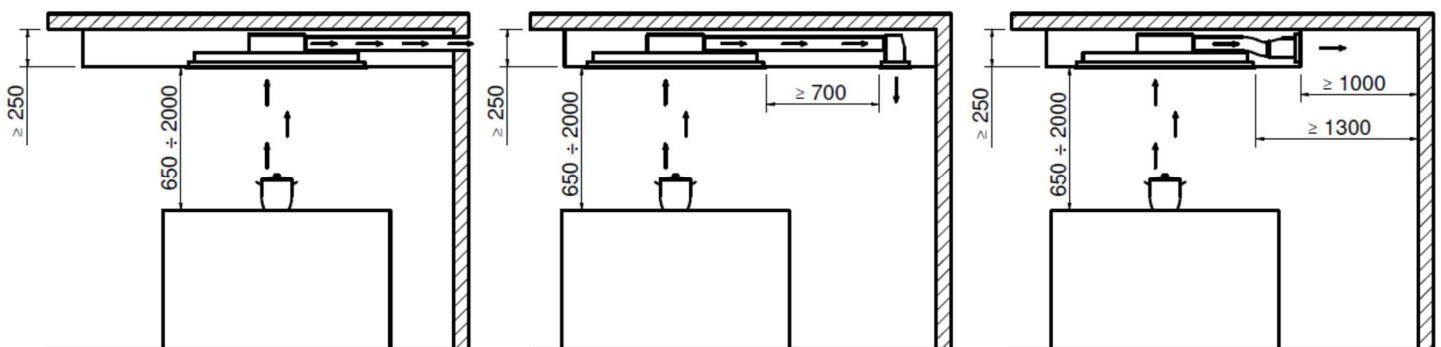
- Les opérations d'installation et de raccordement électrique doivent être effectuées conformément à ces instructions et par du personnel qualifié et spécialisé.
- Porter des gants de protection avant et pendant l'installation.
- Vérifier qu'aucun matériel accessoire fourni avec l'appareil (manuels, accessoires, etc.) n'est placé à l'intérieur de la hotte : dans ce cas, retirez-les et conservez-les.
- Les chiffres indiqués dans ce manuel d'installation peuvent également faire référence à différentes esthétiques de l'appareil : dans tous les cas, les instructions d'utilisation, d'installation et d'entretien restent les mêmes.

Distance minimale de sécurité d'installation

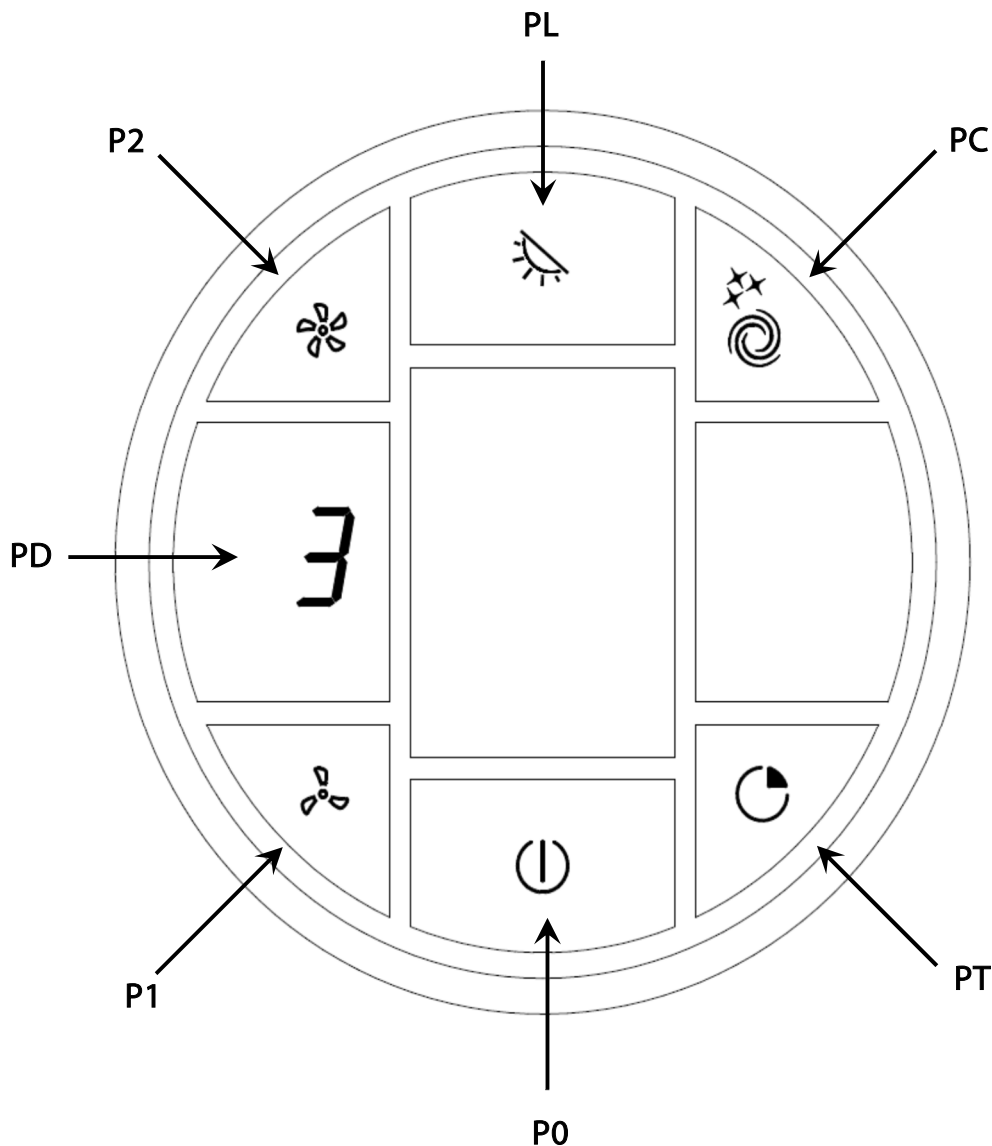
La distance entre une plaque électrique et la partie inférieure de la hotte doit être d'au moins 550 mm, tandis qu'entre une plaque à gaz et la partie inférieure de la hotte doit être d'au moins 650 mm.

La distance d'installation recommandée entre la hotte de plafond et la table de cuisson est comprise entre 1300 et 1500 mm, tandis que la distance maximale est de 2000 mm.

Cette hotte est conçue pour être installée au plafond aussi bien en version **ASPIRANTE** avec évacuation des fumées vers l'extérieur qu'en version **FILTRANTE** en achetant le kit adapté.



INSTRUCTIONS DE CONTRLE



La télécommande arrivera déjà programmée avec la hotte, si pour une raison quelconque la télécommande perd la communication avec la hotte, effectuez la procédure suivante :

- Débrancher la hotte de l'alimentation électrique ;
- Attendez quelques secondes et rétablissez l'alimentation et dans les 10 secondes, appuyez simultanément sur les boutons "P1" et "PT" pendant environ 3 secondes.

La télécommande sera à nouveau opérationnelle.

LES FONCTIONS

P0: Touche ON/OFF MOTEUR.

S'il est sélectionné avec le moteur éteint, l'écran affiche un zéro "0" pendant environ 1 seconde.

P1: touche pour diminuer la vitesse du moteur, si la hotte est en 1ère vitesse elle coupe le moteur.

P2: touche pour augmenter la vitesse du moteur, si la hotte est éteinte elle enclenche la 1ère vitesse, un deuxième appui active la 2ème vitesse, un troisième appui active la 3ème vitesse, un quatrième appui active la 4ème vitesse, un appui sur un une cinquième fois active la 5ème vitesse (1ère vitesse intensive) (**), un sixième appui active la 6ème vitesse (2ème vitesse intensive) (**).

Les numéros des vitesses sélectionnées apparaissent à l'écran ("1", "2", "3", "4", "5", "6").

(**) Vitesses intensives: la durée des vitesses intensives est de 6 minutes après quoi l'électronique revient automatiquement en 4ème vitesse.

PL: touche LUMIÈRES ON/OFF

Intensité lumineuse: en appuyant longuement sur le bouton "PL" avec les lumières allumées, l'intensité de la lumière commencera à diminuer jusqu'à atteindre la valeur minimale; le relâchement du bouton interrompt la descente de l'intensité lumineuse. Une fois la valeur minimale atteinte et en appuyant à nouveau longuement sur la touche "PL", l'intensité lumineuse commencera à augmenter jusqu'à atteindre la valeur maximale; s'il est relâché, il s'arrête à la luminosité atteinte.

Température de couleur: avec le capot éteint et les lumières éteintes, appuyez et maintenez le bouton "PL" jusqu'à ce que la LED sur le capot s'allume pour entrer dans le menu lumière dynamique. Avec des pressions simples de la touche "PL", vous aurez la variation de la tonalité de couleur de la lumière de 2700°K à 4000°K en 10 étapes. Une fois la tonalité souhaitée atteinte, vous devrez attendre 10 secondes, la LED sur la hotte cessera de clignoter et la fonction sera mémorisée.

PC: touche ON / OFF CLEAN AIR (un "C" apparaît sur l'afficheur) lorsque cette fonction est activée, le moteur est mis à vitesse maximale pendant environ 6 minutes, au bout de 6 minutes le moteur s'éteindra automatiquement.

Pour désactiver cette fonction, appuyez sur la touche "PC" ou sur la touche "P0".

Remarque: cette fonction n'est activable que hotte allumée et est prioritaire sur toutes les autres fonctions motrices actives.

PT: touche TIMER (un "T" apparaît sur l'écran)

La minuterie effectue un compte à rebours de 15 minutes et ne peut être activée que lorsque le moteur tourne.

La durée de 15 minutes ne change pas même si les vitesses sont modifiées pendant le compte à rebours.

Au bout de 15 minutes le moteur s'arrête.

PD: Affichage

Activation/désactivation du buzzer: par défaut la hotte est fournie avec le buzzer actif, si vous souhaitez désactiver, hotte éteinte, allumez les lumières en appuyant sur la touche "PL", puis appuyez et maintenez les touches "PT" et "P1" " jusqu'à l'allumage de la led hotte sans signal sonore. Si vous souhaitez réactiver, répétez l'opération décrite ci-dessus, la LED s'allumera et le signal acoustique sera émis pour confirmer.

Activation / Désactivation Air Frais: appui long sur le bouton "PC" capot éteint. Cette fonction permet d'allumer le moteur en 1ère vitesse pendant 10 minutes suivi de 50 minutes de stand-by. Cette option reste active pendant une période de 24 heures. Pour désactiver la fonction Fresh Air, appuyez à nouveau sur la touche "PC" ou "P0". Tant que la fonction est active, aussi bien avec le moteur tournant qu'en stand-by, la LED capot clignotera toutes les 5 secondes.

Remarque: pour économiser la batterie, l'écran reste actif pendant environ 4 secondes, après quoi il s'éteint, pour afficher les fonctions actives, sélectionnez n'importe quelle touche et l'écran est réactivé.

INDICATION LED DU CAPOT

Dans le corps de la hotte se trouve une LED qui indique l'état de fonctionnement du moteur tournant à vitesse selon ces critères:

Moteur éteint: LED éteinte;

Moteur 1ère vitesse Couleur LED bleue;

Moteur 2ème vitesse Couleur LED verte;

Moteur 3ème vitesse Couleur LED jaune;

Moteur 4ème vitesse Couleur LED rouge;

Moteur 5e vitesse (intensif) Couleur LED magenta (clignote par intermittence pendant 1 seconde pendant 6 minutes, puis revient à la 4e vitesse).

Moteur 6e vitesse (intensif) Couleur rose du voyant DEL (clignote par intermittence pendant 1 seconde pendant 6 minutes, puis revient à la 4e vitesse).

En activant la minuterie, la LED de couleur correspondante, en fonction de la vitesse réglée, clignote par intermittence pendant 1 seconde, au bout de 15 minutes, en régime non intensif, le moteur s'éteint et non l'éclairage. Quant aux vitesses intensives, lorsque la minuterie est activée, elle reste à la vitesse réglée pendant les 6 premières minutes puis termine les 9 minutes restantes à la 4ème vitesse.

Dans la fonction Clean Air, la LED bleu clair reste fixe, le moteur passe en 6ème vitesse et au bout de 6 minutes le moteur et non l'éclairage s'éteint.

En fonction Fresh Air, la LED Bleue clignote par intermittence pendant 5 secondes, capot éteint, le moteur démarre en 1ère vitesse pendant 10 minutes puis reste éteint pendant 50 minutes et ainsi de suite jusqu'à la désactivation de la fonction.

Signal de nettoyage du filtre à graisse métallique

Après 30 heures de fonctionnement, la LED verte commencera à clignoter pendant 20 secondes indiquant de nettoyer les filtres. Pour réinitialiser les filtres, hotte éteinte, appuyez sur la touche « P0 » pendant 3 secondes pendant que la LED clignote.

Signal de nettoyage de filtre longue durée ou en céramique

Après 120 heures de fonctionnement, la LED rouge commencera à clignoter pendant 20 secondes indiquant de nettoyer les filtres. Pour réinitialiser les filtres, hotte éteinte, appuyez sur la touche « P0 » pendant 3 secondes pendant que la LED clignote.

A chaque pression sur une touche de la télécommande, la hotte émet un signal sonore pour confirmer la réception du signal.

MAINTENANCE

ATTENTION! Avant toute opération de nettoyage ou d'entretien, couper l'alimentation électrique de la hotte en débranchant le câble ou en débranchant l'interrupteur général de l'habitation. Le nettoyage et l'entretien ordinaire ne doivent pas être effectués par des enfants sans surveillance.

Nettoyage

Le produit doit être fréquemment nettoyé à l'intérieur et à l'extérieur à l'aide d'un chiffon humidifié avec de l'eau tiède et un détergent liquide neutre non abrasif.

Les filtres à graisse métalliques

Il a pour mission de retenir les particules grasses des fumées de cuisson et de préserver le moteur de l'aspirateur, il est donc sujet au colmatage dans des temps variables en fonction de l'utilisation de l'appareil. Les filtres peuvent être lavés au lave-vaisselle avec des cycles de lavage courts et à basse température, au plus tard tous les 2 mois pour éviter les risques d'incendie. Après quelques lavages, le filtre peut changer de couleur à cause des sels et détergents du lave-vaisselle. Le changement de couleur n'affecte pas la fonctionnalité du filtre à graisse.

Filtres en céramique

Ils ont pour mission de retenir les odeurs et de purifier l'air qui est renvoyé dans l'environnement.

Les filtres en céramique peuvent être nettoyés au four à une température de 180/200°C pendant environ 45/60 minutes. Il est recommandé de remplacer les filtres céramiques tous les 5 ans pour assurer la meilleure élimination des odeurs.

Éclairage

La hotte est équipée d'un éclairage basé sur la technologie LED à haute efficacité, à faible consommation d'énergie et à très haute durabilité dans des conditions normales d'utilisation. Pour le remplacement, contactez le service après-vente.

L'ENTREPRISE FABRICANT ne peut être tenu responsable des dommages causés par une mauvaise installation ou utilisation de cet appareil.

SICHERHEITSWARNUNG

- Dieses Gerät ist für den häuslichen Gebrauch in der häuslichen Umgebung bestimmt. Verwenden Sie das Gerät niemals für den professionellen oder industriellen Gebrauch.
- Dieses Gerät darf von Kindern über 8 Jahren und von Personen mit eingeschränkten körperlichen, sensorischen und geistigen Fähigkeiten oder ohne die erforderliche Erfahrung und Kompetenz nur unter sachgemäßer Aufsicht und mit den erforderlichen Anweisungen zur sicheren Verwendung bedient werden des Gerätes und informiert über die möglichen damit verbundenen Risiken und Warnungen.
- Kinder dürfen nicht mit dem Gerät spielen.
- Sicherheits- und Warnhinweise in der Bedienungsanleitung sind strikt zu befolgen.
- Achtung: Nichtbenutzung von Schrauben und Befestigungsmitteln gemäß Anweisungen in diesem Handbuch können zu einem elektrischen Risiko führen.
- Das Gerät darf nicht von Personen (einschließlich Kindern) mit eingeschränkten physischen, sensorischen und geistigen Fähigkeiten oder ohne die erforderliche Erfahrung und Kompetenz verwendet werden, es sei denn, sie werden ordnungsgemäß beaufsichtigt und eingewiesen.

- Das sorgfältige Reinigen des Geräts nach jedem Gebrauch ist sehr wichtig, da die regelmäßige Reinigung nicht durchgeführt wird kann zu Brandgefahr führen.
- Stellen Sie sicher, dass alle Gerätekomponenten nicht beschädigt sind. Führen Sie in einem solchen Fall keine Installation durch und wenden Sie sich an ein qualifiziertes technisches Kundendienstzentrum.
- Qualifizierte Monteure führen alle erforderlichen Zimmer- und Montagearbeiten in voller Übereinstimmung mit den geltenden Richtlinien durch.
- Schließen Sie das Gerät während der Installation nicht an das Stromnetz an.
- Trennen Sie das Gerät von der Stromversorgung, bevor Sie Reinigungs- oder Wartungsarbeiten durchführen.
- Das Gerät muss nach der Installation durch einen zugänglichen Stecker oder Hauptschalter vom Stromnetz getrennt werden.
- Dampfreiniger sollte nicht verwendet werden.
- Verwenden Sie zum Reinigen von Glas keine scharfen Scheuermittel oder scharfen Metallschaber, da diese die Oberfläche zerkratzen und das Glas zerbrechen können.
- VORSICHT: Stellen Sie sicher, dass das Gerät vom Stromnetz getrennt (OFF) ist, bevor Sie die Lampe austauschen, um die Möglichkeit eines Stromschlags zu vermeiden.

- Entfernen Sie den Schutzkunststoff von der Haube erst nach der vollständigen Montage, wenn dieser Kunststoff nicht in Bereichen vorhanden ist, die bei der Montage eine Beschädigungsgefahr darstellen könnten. Dadurch werden Schäden an der Außenseite des Geräts vermieden, die nicht von der Garantie abgedeckt werden.

WARNHINWEISE ZUM ELEKTRISCHEN ANSCHLUSS

- Elektrische Anschlüsse müssen von einem qualifizierten Elektriker genehmigt werden, bevor das Gerät verwendet wird.
- Der elektrische Anschluss darf nur von einem qualifizierten Elektriker durchgeführt werden, der für den ordnungsgemäßen elektrischen Anschluss des Geräts an das Stromnetz verantwortlich ist.
- Bevor Sie das Gerät an das Stromnetz anschließen, prüfen Sie, ob die auf dem Typenschild des Geräts angegebenen Spannungs-, Frequenz- und Leistungswerte mit dem Hausstromnetz und der Steckdose kompatibel sind.
- Das Netzkabel muss an einen allpoligen magnetothermischen Unterbrecher mit einem Schaltkontaktabstand von mindestens 3 mm angeschlossen werden.
- Falls das Netzkabel beschädigt ist, muss es entweder durch den Hersteller oder den technischen Kundendienst oder durch Fachpersonal ersetzt werden.
- Das Netzkabel darf keine Oberflächen berühren, deren

Temperatur überschreitet 50° C, nachdem das Gerät installiert wurde.

WARNHINWEISE ZUM BETRIEB

- Bei gleichzeitiger Verwendung von Dunstabzugshauben und Geräten, die mit Gas oder anderen Brennstoffen betrieben werden, muss für eine bequeme Belüftung im Raum gesorgt werden.
- Wird die Dunstabzugshaube gleichzeitig mit Geräten verwendet, die Gas oder andere Brennstoffe verbrennen, muss der Raum ausreichend belüftet sein (diese Warnung gilt nicht für Dunstabzugshauben, die in der Filterversion installiert sind).
- Befolgen Sie alle geltenden lokalen Standards für den Betrieb von Luftabzügen.
- Wenn das Gerät im Umluftbetrieb verwendet wird, vergewissern Sie sich, dass die Staubabsaugung in gutem Zustand ist, falls es längere Zeit nicht benutzt wurde.
- Das Garen von Speisen über offenem Feuer (Flamme) unter der Haube ist nicht erlaubt.
- Lassen Sie Töpfe bei eingeschaltetem Kochfeld nie unbeaufsichtigt: Das im Topf enthaltene Öl kann überhitzen und verbrennen. Bei Verwendung von Öl ist die Brandgefahr höher.
- Fettfilter, richtige Wartung und genaue Reinigung sind äußerst wichtig.

- Reinigen Sie die Haube und die anderen Oberflächen regelmäßig, um jegliche Brandgefahr zu vermeiden.
- ACHTUNG: Bei eingeschaltetem Kochfeld können zugängliche Teile der Haube heiß werden.
- Der Anschluss der Absaugvorrichtung an Abluftkanäle oder -kanäle und -rohre zur Raumbelüftung ist nicht zulässig.
- Abluft darf nicht in einen Warmluftkanal geleitet werden.
- Die Luft darf nicht in einen Schornstein geleitet werden, der für Rauch von Haushaltsgeräten verwendet wird, die mit Gas oder anderen Brennstoffen betrieben werden (dies gilt nicht bei Abzugshauben, die im Umluftbetrieb arbeiten)
- Den Raum ausreichend lüften, wenn eine Dunstabzugshaube und andere
- Der maximale Unterdruck im Raum darf 4 Pa (4×10^{-5} bar) nicht überschreiten.
- Der Raum, in dem die Dunstabzugshaube installiert wird, muss mit einem Lufteinlass versehen sein, dessen Kapazität größer sein muss als die der Dunstabzugshaube. Es ist strengstens verboten, die Gliedmaßen oder andere Teile der menschlichen Körper sowie Koch- oder andere Gegenstände in der Nähe des Abzugs der Dunstabzugshaube (sofern Ihr Gerät damit ausgestattet ist).
- Dunstabzugshauben und andere Kochdunstabzüge können den sicheren Betrieb von Geräten, die Gas oder andere Brennstoffe (auch in anderen Räumen) verbrennen, durch

Rückströmen von Verbrennungsgasen beeinträchtigen. Diese Gase können möglicherweise zu einer Kohlenmonoxidvergiftung führen. Nach der Installation einer Dunstabzugshaube oder eines anderen Kochdunstabzugs sollte der Betrieb von offenen Gasgeräten von einer sachkundigen Person getestet werden, um sicherzustellen, dass kein Rückstrom von Verbrennungsgasen auftritt.

Für eine sichere Verwendung des Produkts und um alle Funktionen und Leistungen zu kennen:

- Lesen Sie diese Gebrauchsanweisung vor der Installation und Inbetriebnahme sorgfältig durch.**
- Achten Sie besonders auf Sicherheitshinweise!**
- Das Gerät darf nur wie in dieser Bedienungsanleitung beschrieben verwendet werden.**
- Bewahren Sie die Bedienungsanleitung auf.**
- Wenn Sie das Gerät an Dritte weitergeben, geben Sie auch die Bedienungsanleitung mit.**

Sehr geehrter Kunde,

Danke, daß Sie uns gewählt haben!

Herzlichen Glückwunsch zum Kauf Ihrer neuen Dunstabzugshaube.

Um das Gerät sicher zu verwenden und alle seine Funktionen und Leistungen besser kennen zu lernen:

- Lesen Sie diese Bedienungsanleitung sorgfältig durch, bevor Sie das Gerät installieren und einschalten.
- Sicherheitshinweise sind besonders zu beachten!
- Das Gerät darf nur gemäß den Anweisungen in dieser Bedienungsanleitung verwendet werden.
- Bewahren Sie diese Bedienungsanleitung zum Nachschlagen auf.
- Bei Weitergabe des Gerätes an Dritte ist auch die Bedienungsanleitung mitzugeben.

ALLGEMEINE INFORMATIONEN

Bitte beachten Sie beim Austausch mit dem Gerätehersteller die auf dem Typenschild angegebene Seriennummer und Identifikationsdaten.

Dieses Gerät wurde in voller Übereinstimmung mit allen relevanten Normen entwickelt, getestet und hergestellt:

- Sicherheit: CEI/EN 60335-1; CEI/EN 60335-2-31;
 - Leistung: CEI/EN 61591; CEI/EN 60704-1; CEI/EN 60704-2-13; EN 50564; CEI 62301.
- EMV: EN 55014-1; EN 55014-2; CEI/EN 61000-3-2; CEI/EN 61000-3-3.

Empfehlungen für den sachgemäßen Gebrauch des Geräts zur Reduzierung der Umweltbelastung: Schalten Sie die Dunstabzugshaube zu Beginn des Kochens auf minimaler Geschwindigkeit ein und schalten Sie sie wenige Minuten nach dem Kochen wieder aus. Erhöhen Sie die Haubengeschwindigkeit nur bei großen Mengen an Dämpfen und Dämpfen und verwenden Sie die Booster-Funktion nur, wenn es unbedingt erforderlich ist. Reinigen Sie den Fettfilter nur bei Bedarf, um seine Leistungsfähigkeit im Laufe der Zeit zu erhalten. Verwenden Sie ein Rohrleitungssystem mit dem in diesem Handbuch angegebenen maximalen Durchmesser, um die Effizienz zu erhöhen und den Geräuschpegel zu reduzieren.



Das Symbol auf dem Gerät oder seiner Dokumentation weist darauf hin, dass dieses Produkt nicht als Hausmüll behandelt werden darf, sondern an einer speziellen Sammelstelle für das Recycling von Elektro- und Elektronikgeräten abgegeben werden muss. Die ordnungsgemäße Entsorgung dieses Geräts trägt dazu bei, den Rohstoffverbrauch und die Umweltbelastung zu reduzieren. Nähere Informationen zum Recycling dieses Geräts erhalten Sie von Ihrem örtlichen Gemeindeamt, Ihrem Hausmüllentsorgungsdienst oder dem Geschäft, in dem Sie das Gerät gekauft haben.

Ersatzteile

Nur Original-Ersatzteile verwenden.

Ersetzen Sie Komponenten, bevor sie abgenutzt sind. Führen Sie regelmäßige Wartungskontrollen durch, wie im Abschnitt "WARTUNG" beschrieben.

Garantie

Um die HERSTELLER-Garantie in Anspruch nehmen zu können, müssen die Benutzer alle Anweisungen in diesem Handbuch strikt befolgen, insbesondere:

- Verwenden Sie die Dunstabzugshaube nur für den vorgesehenen Zweck;
- kontinuierliche und gewissenhafte Wartungsarbeiten durchführen;
- die Verwendung der Haube nur Personen mit nachgewiesenen Fähigkeiten und Kenntnissen gestatten.

Bei Nichtbeachtung der Anweisungen in diesem Handbuch erlischt sofort die Herstellergarantie.

INSTALLATIONSANLEITUNG

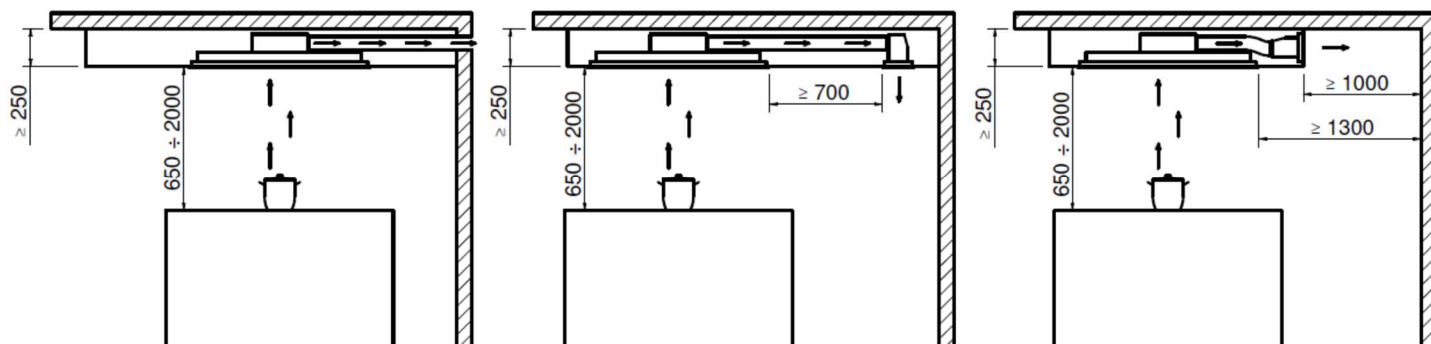
- Die Installation und der elektrische Anschluss müssen gemäß dieser Anleitung und von qualifiziertem Fachpersonal durchgeführt werden.
- Tragen Sie vor und während der Installation Schutzhandschuhe.
- Stellen Sie sicher, dass sich kein mit dem Gerät geliefertes Zubehörmaterial (Handbücher, Zubehör usw.) in der Haube befindet: In einem solchen Fall entfernen und aufbewahren.
- Die in dieser Installationsanleitung gezeigten Abbildungen können sich auch auf eine andere Ästhetik des Geräts beziehen: In jedem Fall bleiben die Gebrauchs-, Installations- und Wartungsanweisungen gleich.

Mindestsicherheitsabstand bei der Installation

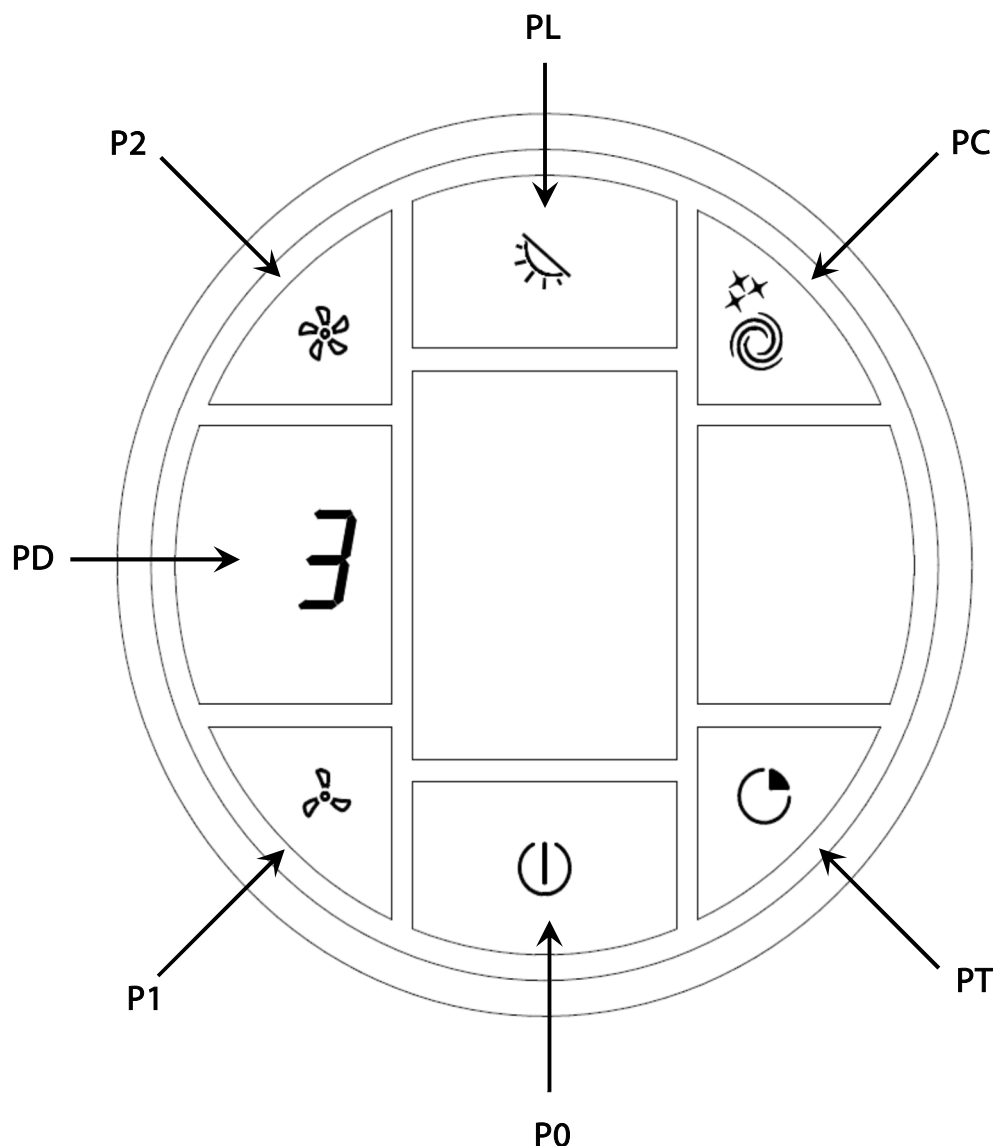
Der Abstand zwischen einem Elektrokochfeld und dem unteren Teil der Dunstabzugshaube muss mindestens 550 mm betragen, während der Abstand zwischen einem Gaskochfeld und dem unteren Teil der Haube mindestens 650 mm betragen muss.

Der empfohlene Installationsabstand zwischen der Deckenhaube und dem Kochfeld liegt zwischen 1300 und 1500 mm, während der maximale Abstand 2000 mm beträgt.

Diese Dunstabzugshaube ist für die Deckenmontage sowohl in der Version **ASPIRIEREND** mit Rauchabzug nach außen als auch in der Version **FILTERING** durch den Kauf des entsprechenden Kits vorgesehen.



KONTROLLANLEITUNG



Die Fernbedienung wird bereits mit der Dunstabzugshaube programmiert ankommen. Falls die Fernbedienung aus irgendeinem Grund die Kommunikation mit der Dunstabzugshaube verliert, gehen Sie wie folgt vor:

- Trennen Sie die Haube von der Stromversorgung;
- Warten Sie einige Sekunden und stellen Sie die Stromversorgung wieder her und drücken Sie innerhalb von 10 Sekunden die Tasten „P1“ und „PT“ gleichzeitig für etwa 3 Sekunden. Die Fernbedienung ist wieder betriebsbereit.

FUNKTIONEN

P0: MOTOR EIN / AUS-Taste.

Bei Auswahl bei ausgeschaltetem Motor zeigt das Display etwa 1 Sekunde lang eine Null „0“ an.

P1: Taste zum Verringern der Motordrehzahl, wenn sich die Haube in der 1. Geschwindigkeit befindet, schaltet sie den Motor aus.

P2: Taste zum Erhöhen der Motorgeschwindigkeit, bei ausgeschalteter Haube schaltet sie die 1. Geschwindigkeit ein, ein zweites Drücken aktiviert die 2. Geschwindigkeit, ein drittes Drücken aktiviert die 3. Geschwindigkeit, ein viertes Drücken aktiviert die 4. Geschwindigkeit, Drücken von a ein fünftes Mal aktiviert die 5. Stufe (1. Stufe intensiv) (**), ein sechstes Drücken aktiviert die 6. Stufe (2. Stufe intensiv) (**).

Auf dem Display erscheinen die Nummern der gewählten Geschwindigkeiten („1“, „2“, „3“, „4“, „5“, „6“).

(**) Intensivgeschwindigkeiten: Die Dauer der Intensivgeschwindigkeiten beträgt 6 Minuten, danach kehrt die Elektronik automatisch in die 4. Geschwindigkeit zurück.

PL: LIGHTS ON / OFF-Taste

Lichtintensität: Durch langes Drücken der Taste "PL" bei eingeschaltetem Licht beginnt die Intensität des Lichts \square u sinken, bis der Mindestwert erreicht ist; das Loslassen der Taste unterbricht das Absenken der Lichtintensität. Nach Erreichen des Minimalwertes und erneutem langem Drücken der Taste "PL" beginnt die Lichtintensität zu steigen, bis der Maximalwert erreicht ist; beim Loslassen stoppt sie bei der erreichten Helligkeit.

Farbtemperatur: Halten Sie bei ausgeschalteter Motorhaube und ausgeschaltetem Licht die Taste "PL" gedrückt, bis die LED an der Motorhaube aufleuchtet, um das Menü für dynamisches Licht aufzurufen. Durch einmaliges Drücken der Taste „PL“ haben Sie die Variation des Farbtons des Lichts von 2700 ° K bis 4000 ° K in 10 Schritten. Sobald der gewünschte Ton erreicht ist, müssen Sie 10 Sekunden warten, die LED an der Haube hört auf zu blinken und die Funktion wird gespeichert.

PC: Taste ON / OFF CLEAN AIR (ein „C“ erscheint auf dem Display) Wenn diese Funktion aktiviert ist, wird der Motor für ca. 6 Minuten auf Höchstgeschwindigkeit eingestellt, nach Ablauf der 6 Minuten schaltet sich der Motor automatisch ab.

Um diese Funktion zu deaktivieren, drücken Sie die Taste „PC“ oder die Taste „P0“.

Hinweis: Diese Funktion kann nur bei aufgesetzter Haube aktiviert werden und hat Vorrang vor allen anderen aktiven Motorfunktionen.

PT: TIMER-Taste (ein „T“ erscheint im Display)

Der Timer führt einen 15-minütigen Countdown durch und kann nur bei laufendem Motor aktiviert werden. Die Dauer von 15 Minuten ändert sich auch dann nicht, wenn die Geschwindigkeiten während des Countdowns geändert werden. Nach Ablauf der 15 Minuten stoppt der Motor.

PD: Anzeige

Aktivierung/Deaktivierung des Summers: Standardmäßig wird die Dunstabzugshaube mit aktivem Summer geliefert. Wenn Sie bei ausgeschalteter Dunstabzugshaube deaktivieren möchten, schalten Sie das Licht ein, indem Sie die Taste "PL" drücken, dann drücken und halten Sie "PT" und "P1 "-Tasten bis zum Einschalten der Haube ohne akustisches Signal geführt. Wenn Sie wieder aktivieren möchten, wiederholen Sie den oben beschriebenen Vorgang, die LED leuchtet und zur Bestätigung ertönt ein akustisches Signal.

Frischluftaktivierung/Deaktivierung: langes Drücken der „PC“-Taste bei abgenommener Haube. Mit dieser Funktion kann der Motor 10 Minuten lang in der 1. Geschwindigkeit eingeschaltet werden, gefolgt von 50 Minuten Stand-by. Diese Option bleibt während eines

Zeitraums von 24 Stunden aktiv. Um die Frischluftfunktion zu deaktivieren, drücken Sie erneut die Taste „PC“ oder „P0“. Während die Funktion aktiv ist, sowohl bei laufendem Motor als auch im Stand-by, blinkt die Motorhauben-LED alle 5 Sekunden.

Hinweis: Um Batteriestrom zu sparen, bleibt das Display etwa 4 Sekunden lang aktiv, danach schaltet es sich aus, um die aktiven Funktionen anzuzeigen, wählen Sie eine beliebige Taste und das Display wird wieder aktiviert.

HAUBEN-LED-ANZEIGE

Im Haubenkörper befindet sich eine LED, die den Betriebszustand des auf Drehzahl laufenden Motors nach folgenden Kriterien anzeigt:

Motor AUS: LED aus;

Motor 1. Geschwindigkeit Blaue LED-Farbe;

2. Geschwindigkeitsmotor Grüne LED-Farbe;

3. Geschwindigkeitsmotor Gelbe LED-Farbe;

Motor der 4. Geschwindigkeit Rote LED-Farbe;

5. Geschwindigkeitsmotor (intensiv) Magenta LED-Farbe (blinkt intermittierend für 1 Sekunde für 6 Minuten und kehrt dann zur 4. Geschwindigkeit zurück).

6. Geschwindigkeitsmotor (intensiv) Rosa LED-Farbe (blinkt intermittierend für 1 Sekunde für 6 Minuten und kehrt dann zur 4. Geschwindigkeit zurück).

Durch Aktivieren des Timers blinkt die entsprechende Farb-LED je nach eingestellter Geschwindigkeit intermittierend für 1 Sekunde, nach Ablauf von 15 Minuten, in nicht intensiven Geschwindigkeiten schaltet sich der Motor aus und nicht die Beleuchtung. Bei den intensiven Geschwindigkeiten bleibt der Timer bei Aktivierung die ersten 6 Minuten auf der eingestellten Geschwindigkeit und endet dann die restlichen 9 Minuten mit der 4. Geschwindigkeit.

In der Clean Air Funktion bleibt die hellblaue LED konstant, der Motor schaltet in die 6. Geschwindigkeit und nach 6 Minuten schaltet sich der Motor und nicht die Beleuchtung aus.

Bei der Frischluftfunktion blinkt die blaue LED intermittierend für 5 Sekunden, bei geschlossener Haube startet der Motor 10 Minuten lang mit 1. Geschwindigkeit und bleibt dann 50 Minuten lang aus usw. bis die Funktion ausgeschaltet wird.

Reinigungssignal für Metallfettfilter

Nach 30 Betriebsstunden beginnt die grüne LED 20 Sekunden lang zu blinken, um anzuzeigen, dass die Filter gereinigt werden müssen. Um die Filter zurückzusetzen, drücken Sie bei ausgeschalteter Haube die Taste „P0“ für 3 Sekunden, während die LED blinkt.

Langlebiges oder Keramikfilter-Reinigungssignal

Nach 120 Betriebsstunden beginnt die rote LED 20 Sekunden lang zu blinken, um anzuzeigen, dass die Filter gereinigt werden müssen. Um die Filter zurückzusetzen, drücken Sie bei ausgeschalteter Haube die Taste „P0“ 3 Sekunden lang, während die LED blinkt.

Jedes Mal, wenn eine Taste auf der Fernbedienung gedrückt wird, gibt die Haube ein akustisches Signal aus, um den Empfang des Signals zu bestätigen.

INSTANDHALTUNG

WARNUNG! Trennen Sie vor Reinigungs- oder Wartungsarbeiten die Stromversorgung der Dunstabzugshaube, indem Sie das Kabel entfernen oder den Hauptschalter im Haus trennen. Reinigung und normale Wartung dürfen nicht von Kindern ohne Aufsicht durchgeführt werden.

Reinigung

Das Produkt sollte sowohl von innen als auch von außen regelmäßig mit einem mit lauwarmem Wasser und neutralem, nicht scheuernden Flüssigreiniger angefeuchteten Tuch gereinigt werden.

Die metallischen Fettfilter

Es hat die Aufgabe, die Fettpartikel aus dem Kochdunst zurückzuhalten und den Motor des Absaugers zu schonen, so dass er je nach Verwendung des Geräts zu unterschiedlichen Zeiten verstopft. Die Filter können in der Spülmaschine mit kurzen Spülzyklen und bei niedrigen Temperaturen, spätestens alle 2 Monate gewaschen werden, um Brandgefahr zu vermeiden. Nach einigen Waschgängen kann sich der Filter aufgrund von Spülmaschinensalzen und Reinigungsmitteln verfärben. Der Farbumschlag hat keinen Einfluss auf die Funktionsfähigkeit des Fettfilters.

Keramikfilter

Sie haben die Aufgabe, Gerüche zurückzuhalten und die an die Umgebung abgegebene Luft zu reinigen.

Die Keramikfilter können im Backofen bei einer Temperatur von 180/200°C ca. 45/60 Minuten gereinigt werden. Es wird empfohlen, die Keramikfilter alle 5 Jahre auszutauschen, um eine optimale Geruchsbeseitigung zu gewährleisten.

Beleuchtung

Die Haube ist mit einer Beleuchtung basierend auf hocheffizienter LED-Technologie, geringem Stromverbrauch und sehr hoher Lebensdauer unter normalen Nutzungsbedingungen ausgestattet.

Wenden Sie sich zum Austausch an die Serviceabteilung.

DER HERSTELLER DES UNTERNEHMENS haftet nicht für Schäden, die durch eine unsachgemäße Installation oder Verwendung dieses Geräts verursacht werden.

ADVERTENCIA DE SEGURIDAD

- Este aparato ha sido diseñado para uso doméstico en el entorno doméstico. Nunca utilice el aparato para uso profesional o industrial.
- Este aparato puede ser operado por niños mayores de 8 años y por personas con deficiencias físicas, sensoriales y mentales o sin la experiencia y competencia necesarias solo si están debidamente supervisados y si se les han proporcionado las instrucciones necesarias sobre el uso seguro. del aparato e informado de los posibles riesgos y advertencias asociados.
- No se permitirá que los niños jueguen con el aparato.
- Se seguirán estrictamente las instrucciones de seguridad y advertencia especificadas en el manual del usuario.
- Precaución: No utilizar tornillos y dispositivos de fijación según instrucciones especificadas en este manual, pueden resultar en riesgo eléctrico.
- El aparato no debe ser utilizado por personas (incluidos los niños) con deficiencias físicas, sensoriales y mentales o sin la experiencia y competencia necesarias, a menos que hayan sido debidamente supervisados e instruidos.
- Limpiar cuidadosamente el aparato después de cada uso es muy importante, ya que no realizar una limpieza regular

puede resultar en riesgo de incendio.

- Asegúrese de que todos los componentes del aparato no estén dañados. En tal caso, no realice la instalación y póngase en contacto con un centro de asistencia técnica cualificado.
- Los instaladores cualificados realizarán los trabajos de carpintería e instalación necesarios en pleno cumplimiento de las directivas vigentes.
- No conecte el aparato a la red eléctrica durante la instalación.
- Desconecte el aparato de la fuente de alimentación antes de realizar cualquier operación de limpieza o mantenimiento.
- Necesidad de permitir la desconexión del aparato de la red eléctrica después de la instalación, a través de un enchufe accesible o interruptor principal.
- No se debe utilizar limpiador a vapor.
- No utilice abrasivos fuertes o raspadores de metal afilados para limpiar el vidrio, ya que pueden rayar la superficie y hacer que el vidrio se rompa.
- **PRECAUCIÓN:** Asegúrese de que el aparato esté desconectado (APAGADO) antes de reemplazar la lámpara para evitar la posibilidad de descarga eléctrica.
- No retire el plástico protector de la campana hasta que esté completamente instalado, si este plástico no está presente en áreas que podrían tener riesgo de daño durante la instalación.

Esto evitará daños en el exterior del aparato, algo que no estará cubierto por la garantía.

ADVERTENCIAS PARA LA CONEXIÓN ELÉCTRICA

- Las conexiones eléctricas deben ser aprobadas por un electricista calificado antes de usar el aparato.
- La conexión eléctrica debe ser realizada por un solo electricista calificado, quien será responsable de la conexión eléctrica adecuada del aparato a la fuente de alimentación.
- Antes de conectar el aparato a la red eléctrica, compruebe si los valores de voltaje, frecuencia y potencia especificados en la etiqueta de clasificación del aparato son compatibles con la fuente de alimentación y el enchufe del hogar.
- El cable de alimentación debe estar conectado a un disyuntor magnetotérmico omnipolar con una separación entre los contactos del interruptor de al menos 3 mm.
- En caso de que el cable de alimentación esté dañado, deberá ser sustituido por el fabricante o el servicio de asistencia técnica o por personal especializado.
- El cable de alimentación no debe entrar en contacto con superficies cuya temperatura supera los 50 ° C una vez instalado el aparato.

ADVERTENCIAS PARA EL FUNCIONAMIENTO

- Se debe proporcionar ventilación conveniente en la habitación si una campana extractora y electrodomésticos que

funcionan con gas u otro combustible se usan simultáneamente.

- Si la campana se utiliza simultáneamente con aparatos que queman gas u otros combustibles, la habitación debe tener suficiente ventilación (esta advertencia no es aplicable para campanas instaladas en la versión filtrante).
- Cumplir con cualquier norma local vigente sobre operaciones de extracción de aire.
- Si el aparato se usa en el modo de recirculación, asegúrese de que el polvo de escape esté en buenas condiciones en caso de que no se use por mucho tiempo.
- No está permitido cocinar alimentos a fuego abierto (flamear) debajo de la campana.
- No deje nunca las ollas desatendidas con la placa de cocción encendida: el aceite contenido en la olla podría sobrecalentarse y quemarse. El riesgo de incendio es bastante mayor cuando se usa aceite.
- Los filtros de grasa son de suma importancia un mantenimiento adecuado y una limpieza precisa.
- Limpiar periódicamente la campana y el resto de superficies para evitar cualquier riesgo de incendio.
- **PRECAUCIÓN:** cuando la encimera está encendida, las partes accesibles de la campana pueden calentarse.

- No se permite la conexión del dispositivo de extracción a conductos o canales de extracción y tuberías para la ventilación de la habitación.
- El aire extraído no se debe conducir a un conducto de circulación de aire caliente.
- No se debe descargar aire en un conducto de humos utilizado para humos de electrodomésticos alimentados por gas u otros combustibles (esto no es aplicable en el caso de campanas que funcionan en modo de recirculación).
- Ventile adecuadamente la habitación cuando una campana extractora y otros
- La presión negativa máxima en la habitación no debe superar los 4 Pa (4×10^{-5} bar).
- El local donde se instale la campana deberá estar provisto de una toma de aire cuya capacidad será mayor que la del dispositivo de extracción de la campana. Queda terminantemente prohibido colocar las extremidades o cualquier otra parte del cuerpo humano, así como objetos de cocción u otros objetos, cerca de la unidad extraíble de la campana (si su aparato está equipado con ella).
- Las campanas extractoras y otros extractores de humos de cocina pueden afectar negativamente el funcionamiento seguro de los aparatos que queman gas u otros combustibles (incluidos los de otras habitaciones) debido al reflujo de los

gases de combustión. Estos gases pueden potencialmente resultar en intoxicación por monóxido de carbono. Después de la instalación de una campana extractora u otro extractor de humos de cocina, una persona competente debe probar el funcionamiento de los aparatos de gas de combustión abiertos para asegurarse de que no se produzca el reflujo de los gases de combustión.

Para un uso seguro del producto y conocer todas las características y prestaciones:

- **Lea atentamente este manual de instrucciones para su uso antes de la instalación y puesta en servicio.**
- **Atención especialmente a las advertencias de seguridad!**
- **El aparato solo se puede utilizar como se describe en este manual de instrucciones.**
- **Conserve el manual de instrucciones.**
- **Si cede el aparato a un tercero, entregue también el manual de instrucciones.**

Estimado cliente,

¡Gracias por elegirnos!

Enhorabuena por haber adquirido su nueva campana de cocina.

Para utilizar el aparato de forma segura y conocer mejor todas sus características y prestaciones:

- Lea atentamente este manual de instrucciones antes de instalar y encender el aparato.
- ¡Se debe prestar especial atención a las advertencias de seguridad!
- El aparato solo se debe utilizar de acuerdo con las instrucciones dadas en este manual de usuario.
- Conserve este manual de instrucciones para futuras consultas.
- En caso de que el aparato sea cedido a un tercero, se entregará también el manual de instrucciones.

INFORMACIÓN GENERAL

Al intercambiar información con el FABRICANTE del aparato, consulte el número de serie y los datos de identificación especificados en la etiqueta de clasificación.

Este aparato ha sido diseñado, probado y fabricado en total conformidad con las normas pertinentes sobre:

- Seguridad: CEI / EN 60335-1; CEI / EN 60335-2-31;
- Rendimiento: CEI / EN 61591; CEI / EN 60704-1; CEI / EN 60704-2-13; EN 50564; CEI 62301.

EMC: EN 55014-1; EN 55014-2; CEI / EN 61000-3-2; CEI / EN 61000-3-3.

Recomendaciones para un uso adecuado del aparato encaminadas a reducir el impacto ambiental: cuando empiece a cocinar, encienda la campana a la velocidad mínima y apáguela solo unos minutos después de terminar de cocinar. Aumente la velocidad de la campana solo en caso de grandes cantidades de vapores y humos, y use la función de refuerzo solo cuando sea absolutamente necesario. Limpiar el filtro de grasa solo cuando sea necesario, para mantener su eficacia a lo largo del tiempo. Utilice un sistema de tuberías que tenga el diámetro máximo especificado en este manual para aumentar la eficiencia y reducir los niveles de ruido.



El símbolo en el aparato o en su documentación indica que este producto no debe tratarse como residuo doméstico, sino que debe entregarse en un punto de recogida específico para el reciclaje de equipos eléctricos y electrónicos. La eliminación adecuada de este aparato ayudará a reducir el consumo de materias primas y la contaminación ambiental. Para obtener información más detallada sobre el reciclaje de este electrodoméstico, comuníquese con la oficina de su ciudad, el servicio de eliminación de desechos domésticos o la tienda donde compró el electrodoméstico.

Piezas de repuesto

Utilice únicamente repuestos originales.

Reemplace los componentes antes de que se desgasten. Realice las comprobaciones de mantenimiento periódicas, como se detalla en la sección "MANTENIMIENTO".

Garantía

Para disfrutar de la garantía del FABRICANTE, los usuarios deberán seguir estrictamente todas las instrucciones especificadas en este manual, en particular deberán:

- utilice la campana solo para los fines para los que fue diseñada;
- realizar continuas y escrupulosas operaciones de mantenimiento;
- Permitir el uso de la campana solo a personas con habilidades y conocimientos comprobados.

El incumplimiento de las instrucciones contenidas en este manual anulará inmediatamente la garantía del fabricante.

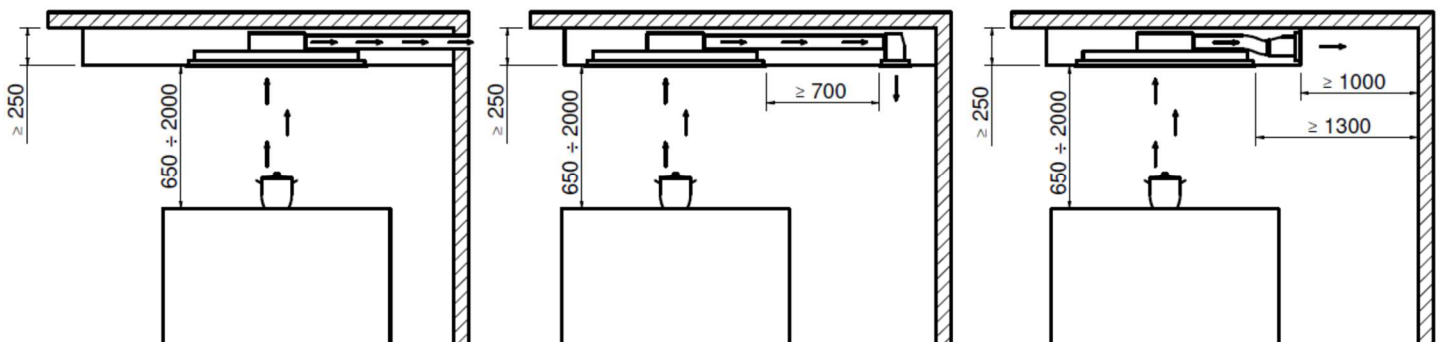
INSTRUCCIONES DE INSTALACIÓN

- Las operaciones de instalación y conexión eléctrica deben realizarse de acuerdo con estas instrucciones y por personal calificado y especializado.
- Utilice guantes protectores antes y durante la instalación.
- Controlar que no se coloque en el interior de la campana ningún material accesorio suministrado con el aparato (manuales, accesorios, etc.): en tal caso retirarlo y conservarlo.
- Las cifras mostradas en este manual de instalación también pueden referirse a diferentes estéticas del aparato: en cualquier caso, las instrucciones de uso, instalación y mantenimiento siguen siendo las mismas.

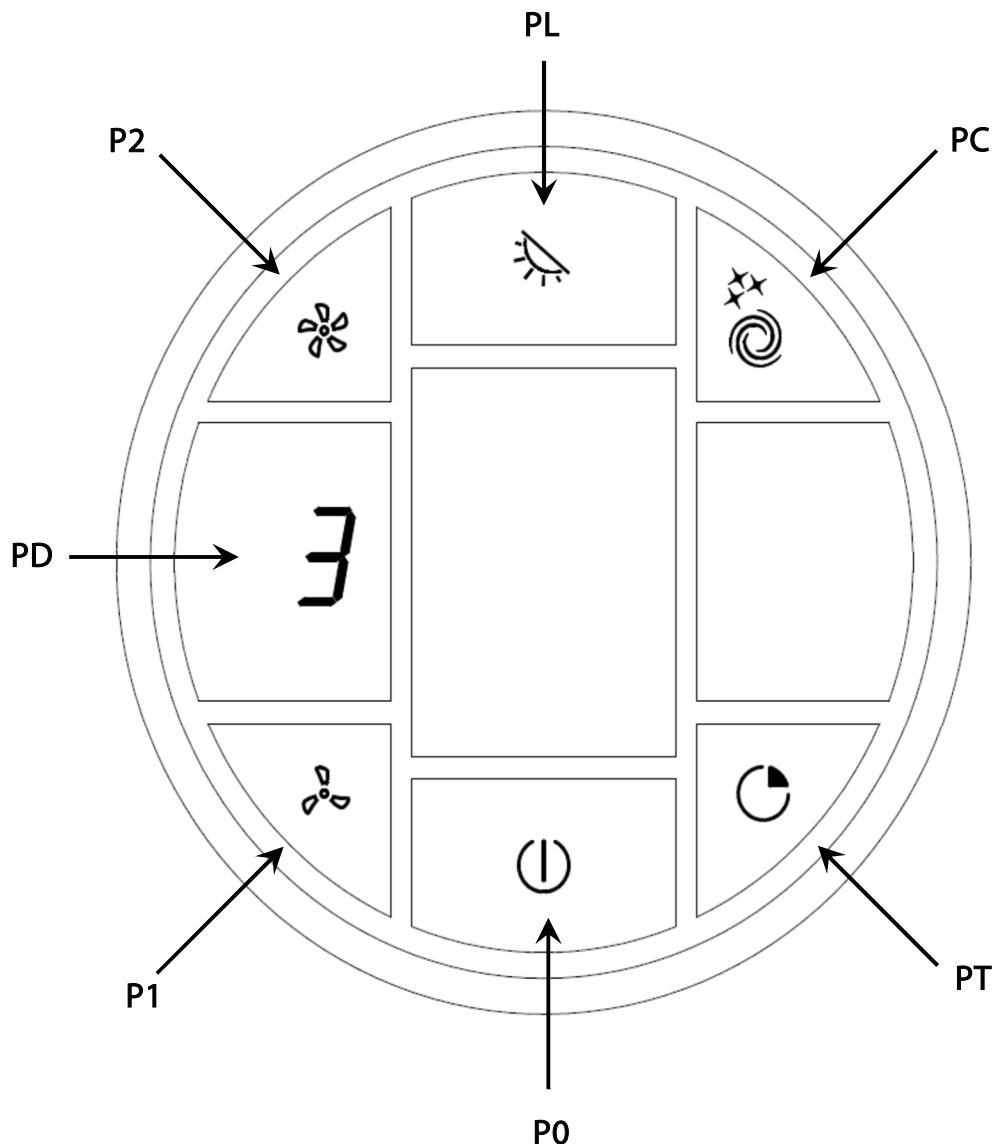
Distancia mínima de seguridad de instalación

La distancia entre una encimera eléctrica y la parte inferior de la campana debe ser de al menos 550 mm, mientras que entre una encimera de gas y la parte inferior de la campana debe ser como mínimo de 650 mm. La distancia de instalación recomendada entre la campana de techo y la placa es de 1300 a 1500 mm, mientras que la distancia máxima es de 2000 mm.

Esta campana está diseñada para ser instalada en el techo tanto en la versión **ASPIRANTE** con evacuación de humos al exterior como en la versión **FILTRANTE** adquiriendo el kit correspondiente.



INSTRUCCIONES DE CONTROL



El control remoto llegará ya programado con la campana, si por alguna razón el control remoto pierde la comunicación con la campana, realice el siguiente procedimiento:

- Desconecte la campana de la fuente de alimentación;
- Espere unos segundos y restaure la energía y dentro de los 10 segundos presione los botones "P1" y "PT" al mismo tiempo durante unos 3 segundos.

El mando a distancia volverá a estar operativo.

FUNCIONES

P0: Tecla MOTOR ENCENDIDO / APAGADO.

Si se selecciona con el motor apagado, la pantalla muestra un cero "0" durante aproximadamente 1 segundo.

P1: tecla para disminuir la velocidad del motor, si la campana está en 1ª velocidad apaga el motor.

P2: tecla para aumentar la velocidad del motor, si la campana está apagada enciende la 1a

velocidad, presionando una segunda vez activa la 2a velocidad, presionando una tercera vez activa la 3a velocidad, presionando una cuarta vez activa la 4a velocidad, presionando una quinta vez activa la 5ª velocidad (1ª velocidad intensiva) (**), presionando una sexta vez activa la 6ª velocidad (2ª velocidad intensiva) (**).

Los números de las velocidades seleccionadas aparecen en la pantalla ("1", "2", "3", "4", "5", "6").

(**) Velocidades intensivas: la duración de las velocidades intensivas es de 6 minutos después de los cuales la electrónica vuelve automáticamente a la 4ª velocidad.

PL: tecla LUCES ON / OFF

Intensidad de luz: al presionar el botón "PL" durante mucho tiempo con las luces encendidas, la intensidad de la luz comenzará a disminuir hasta alcanzar el valor mínimo; al soltar el botón se interrumpe el descenso de la intensidad luminosa. Una vez alcanzado el valor mínimo y presionando de nuevo la tecla "PL" durante mucho tiempo, la intensidad de la luz comenzará a aumentar hasta alcanzar el valor máximo; si se suelta, se detiene en el brillo alcanzado.

Temperatura del color: con el capó apagado y las luces apagadas, mantenga presionado el botón "PL" hasta que se encienda el LED del capó para entrar en el menú de luz dinámica. Con una sola pulsación de la tecla "PL" tendrá la variación del tono de color de la luz de 2700 ° K a 4000 ° K en 10 pasos. Una vez alcanzado el tono deseado, tendrás que esperar 10 segundos, el LED de la campana dejará de parpadear y se memorizará la función.

PC: Tecla ON / OFF CLEAN AIR (aparece una "C" en el display) cuando esta función está activada, el motor se pone a velocidad máxima durante unos 6 minutos, al final de los 6 minutos el motor se apaga automáticamente.

Para desactivar esta función, presione la tecla "PC" o la tecla "P0".

Nota: esta función solo se puede activar con la capota puesta y tiene prioridad sobre todas las demás funciones activas del motor.

PT: botón TIMER (aparece una "T" en la pantalla)

El temporizador realiza una cuenta atrás de 15 minutos y solo se puede activar con el motor en marcha. La duración de 15 minutos no cambia incluso si se cambian las velocidades durante la cuenta regresiva. Al final de los 15 minutos, el motor se detiene.

PD: Pantalla

Activación / desactivación del timbre: por defecto la campana se suministra con el timbre activo, si desea desactivar, con la campana apagada, encienda las luces presionando la tecla "PL", luego presione y mantenga presionadas las teclas "PT" y "P1". "hasta el encendido del led campana sin señal acústica. Si desea reactivar, repita la operación descrita anteriormente, el LED se iluminará y se emitirá la señal acústica de confirmación.

Activación / Desactivación de Aire Limpio: presionar el botón "PC" durante un tiempo prolongado con la campana apagada. Esta función permite encender el motor a la 1ª velocidad durante 10 minutos seguidos de 50 minutos de espera. Esta opción permanece activa durante un período de 24 horas. Para desactivar la función Fresh Air, presione nuevamente la tecla "PC" o "P0". Mientras la función está activa, tanto con el motor en marcha como en espera, el LED del capó parpadeará cada 5 segundos.

Nota: Para ahorrar energía de la batería, la pantalla permanece activa durante unos 4 segundos, después de los cuales se apaga, para ver las funciones activas seleccione cualquier tecla y la pantalla se reactiva.

INDICACIÓN LED DE LA CAMPANA

En el cuerpo de la campana hay un LED que indica el estado de funcionamiento del motor funcionando a velocidad según estos criterios:

Motor apagado: LED apagado;

Motor de 1ª velocidad LED de color azul;

Motor de 2ª velocidad LED de color verde;

Motor de 3ª velocidad LED de color amarillo;

Motor de 4ª velocidad Color LED rojo;

Motor de 5ª velocidad (intensivo) Color del LED magenta (parpadea intermitentemente durante 1 segundo durante 6 minutos y luego vuelve a la 4ª velocidad).

Motor de 6ª velocidad (intensivo) LED de color rosa (parpadea intermitentemente durante 1 segundo durante 6 minutos y luego vuelve a la 4ª velocidad).

Al activar el temporizador, el LED de color correspondiente, en función de la velocidad configurada, parpadea de forma intermitente durante 1 segundo, al cabo de 15 minutos, en velocidades no intensivas, el motor se apaga y no la iluminación. En cuanto a las velocidades intensivas, cuando se activa el temporizador, permanece a la velocidad establecida durante los primeros 6 minutos y luego finaliza los 9 minutos restantes en la 4ª velocidad.

En la función Clean Air, el LED azul claro permanece fijo, el motor cambia a la 6ª velocidad y después de 6 minutos se apaga el motor y no la iluminación.

En la función Fresh Air, el LED azul parpadea intermitentemente durante 5 segundos, con el capó apagado, el motor arranca a 1ª velocidad durante 10 minutos y luego permanece apagado durante 50 minutos y así hasta que se apaga la función.

Señal de limpieza del filtro de grasa de metal

Después de 30 horas de funcionamiento, el LED verde comenzará a parpadear durante 20 segundos para indicar que se deben limpiar los filtros. Para restablecer los filtros, con la campana apagada, presione la tecla "P0" durante 3 segundos mientras el LED parpadea.

Señal de limpieza de filtro cerámico o de larga duración

Después de 120 horas de funcionamiento, el LED rojo comenzará a parpadear durante 20 segundos para indicar que se deben limpiar los filtros. Para restablecer los filtros, con la campana apagada, presione la tecla "P0" durante 3 segundos mientras el LED está parpadeando.

Cada vez que se presiona un botón en el control remoto, la campana emitirá una señal acústica para confirmar la recepción de la señal.

MANTENIMIENTO

¡ADVERTENCIA! Antes de cualquier operación de limpieza o mantenimiento, retire la fuente de alimentación de la campana quitando el cable o desconectando el interruptor principal de la casa. Los niños no deben realizar la limpieza y el mantenimiento ordinario sin supervisión.

Limpieza

El producto debe limpiarse con frecuencia tanto interna como externamente con un paño humedecido con agua tibia y detergente líquido neutro no abrasivo.

Los filtros de grasa metálicos

Tiene la función de retener las partículas de grasa de los humos de cocción y preservar el motor del aspirador, por lo que está sujeto a obstrucciones en tiempos variables en relación al uso del aparato. Los filtros se pueden lavar en el lavavajillas con ciclos de lavado cortos y a bajas temperaturas, como máximo cada 2 meses para evitar el riesgo de incendio. Después de algunos lavados, el filtro podría cambiar de color debido a las sales y los detergentes del lavavajillas. El cambio de color no afecta la funcionalidad del filtro de grasa.

Filtros cerámicos

Tienen la tarea de retener los olores y depurar el aire que se devuelve al medio ambiente. Los filtros cerámicos se pueden limpiar en el horno a una temperatura de 180/200 ° C durante unos 45/60 minutos. Es recomendable reemplazar los filtros cerámicos cada 5 años para asegurar la mejor eliminación de olores.

Encendiendo

La campana está equipada con iluminación basada en tecnología LED de alta eficiencia, bajo consumo de energía y muy alta durabilidad en condiciones normales de uso. Para reemplazo, comuníquese con el departamento de servicio.

EL FABRICANTE DE LA COMPAÑÍA no se hace responsable de ningún daño causado por una instalación o uso incorrectos de este aparato.

AVISO DE SEGURANÇA

- Este aparelho foi projetado para uso doméstico em ambiente doméstico. Nunca use o aparelho para uso profissional ou industrial.

- Este aparelho pode ser operado por crianças com mais de 8 anos e por pessoas com deficiências físicas, sensoriais e mentais ou sem a experiência e competência necessárias apenas se devidamente supervisionadas e devidamente fornecidas com as instruções necessárias sobre o uso seguro do aparelho e informados sobre os potenciais riscos e avisos associados.

- As crianças não devem brincar com o aparelho.

- As instruções de segurança e advertência especificadas no manual do usuário devem ser estritamente seguidas.

- Cuidado: Deixar de usar parafusos e dispositivos de fixação de acordo com

instruções especificadas neste manual, pode resultar em risco elétrico.

- O aparelho não deve ser utilizado por pessoas (incluindo crianças) com deficiências físicas, sensoriais e mentais ou sem a experiência e competência necessárias, a menos que tenham sido devidamente supervisionadas e instruídas.

- Limpar o aparelho com cuidado após cada uso é muito importante, pois não realizar uma limpeza regular

pode resultar em risco de incêndio.

- Certifique-se de que todos os componentes do aparelho não estão danificados. Nesse caso, não execute a instalação e entre em contato com um centro de assistência técnica qualificado.
- Os instaladores qualificados efectuarão os trabalhos de carpintaria e instalação necessários em total conformidade com as directivas em vigor.
- Não ligue o aparelho à rede elétrica durante a instalação.
- Desligue o aparelho da fonte de alimentação antes de efetuar qualquer operação de limpeza ou manutenção.
- Necessidade de permitir a desconexão do aparelho da rede eléctrica após a instalação, através de ficha acessível ou interruptor geral.
- A máquina de limpeza a vapor não deve ser usada.
- Não use produtos abrasivos ou raspadores de metal afiados para limpar o vidro, pois eles podem arranhar a superfície, o que pode causar a quebra do vidro.
- **ATENÇÃO:** Certifique-se de que o aparelho está desligado (OFF) antes de substituir a lâmpada para evitar a possibilidade de choque elétrico.
- Não remova o plástico de proteção do exaustor até que esteja completamente instalado, se este plástico não estiver presente em áreas que possam apresentar risco de danos

durante a instalação. Isso evitará danos no exterior do aparelho, o que não será coberto pela garantia.

AVISOS PARA CONEXÃO ELÉTRICA

- As conexões elétricas devem ser aprovadas por um eletricista qualificado antes de usar o aparelho.
- A ligação elétrica deverá ser realizada por apenas um eletricista habilitado, que será responsável pela correta ligação elétrica do aparelho à rede elétrica.
- Antes de ligar o aparelho à rede elétrica, verifique se os valores de tensão, frequência e potência especificados na etiqueta de classificação do aparelho são compatíveis com a alimentação elétrica doméstica e a tomada.
- O cabo de alimentação deve ser conectado a um disjuntor magneto-térmico omnipolar com uma distância de contato da chave de pelo menos 3 mm.
- Caso o cabo de alimentação esteja danificado, deve ser substituído pelo fabricante ou pela assistência técnica ou por pessoal especializado.
- O cabo de alimentação não deve entrar em contato com superfícies cujas a temperatura excede 50 ° C após a instalação do aparelho.

AVISOS DE OPERAÇÃO

- A ventilação deve ser fornecida convenientemente na sala se um exaustor e aparelhos movidos a gás ou outro combustível usados simultaneamente.

- Se a coifa for utilizada simultaneamente com aparelhos que queimam gás ou outros combustíveis, o ambiente deve ter ventilação suficiente (este aviso não é aplicável para coifas instaladas na versão filtrante).
- Cumpra qualquer norma local em vigor sobre operações de exaustão de ar.
- Se o aparelho for utilizado no modo de recirculação, certifique-se de que o pó de exaustão está em boas condições, caso não tenha sido utilizado por muito tempo.
- Não é permitido cozinhar alimentos em fogo aberto (flambar) sob o capô.
- Nunca deixe as panelas sem vigilância quando a placa está ligada: o óleo contido na panela pode sobreaquecer e queimar. O risco de incêndio é muito maior quando o óleo é usado.
- Filtros de gordura, manutenção adequada e limpeza precisa são extremamente importantes.
- Limpe regularmente o exaustor e as demais superfícies para evitar qualquer risco de incêndio.
- **ATENÇÃO:** quando a placa está ligada, as partes acessíveis do exaustor podem ficar quentes.
- Não é permitida a ligação do dispositivo de exaustão a dutos ou canais de exaustão e tubos de ventilação da sala.
- O ar extraído não deve ser conduzido para um duto de circulação de ar quente.

- O ar não deve ser descarregado em uma chaminé usada para fumos de eletrodomésticos movidos a gás ou outros combustíveis (isto não é aplicável no caso de coifas funcionando em modo de recirculação)
- Ventile adequadamente a sala quando houver um exaustor e outro
- A pressão negativa máxima na sala não deve exceder 4 Pa (4×10^{-5} bar).
- O local de instalação do exaustor deve ser dotado de uma tomada de ar cuja capacidade seja superior à do dispositivo de exaustão do exaustor. É estritamente proibido colocar os membros ou qualquer outra parte do corpo humano, bem como objetos de cozinha ou outros objetos, próximo ao módulo extraível do exaustor (se o seu aparelho estiver equipado com ele).
- Coifas e outros extratores de fumaça de cozinha podem afetar adversamente a operação segura de aparelhos que queimam gás ou outros combustíveis (incluindo aqueles em outras salas) devido ao refluxo dos gases de combustão. Esses gases podem resultar potencialmente em envenenamento por monóxido de carbono. Após a instalação de uma coifa ou outro extrator de fumaça de cozinha, o funcionamento de aparelhos a gás com fluxo aberto deve ser testado por uma pessoa competente para garantir que o refluxo dos gases de combustão não ocorra.

Para uma utilização segura do produto e conhecer todas as características e performances:

- **Leia atentamente este manual de instruções para uso antes da instalação e comissionamento.**
- **Atenção especial aos avisos de segurança!**
- **O aparelho só pode ser usado conforme descrito neste manual de instruções.**
- **Guarde o manual de instruções.**
- **Se você der o aparelho a terceiros, dê também o manual de instruções.**

Estimado cliente,

Obrigado por nos escolher!

Parabéns por ter adquirido o seu novo exaustor.

Para usar o aparelho com segurança e conhecer melhor todas as suas características e desempenhos:

- Leia atentamente este manual de instruções antes de instalar e ligar o aparelho.
- Atenção especial deve ser dada aos avisos de segurança!
- O aparelho só deve ser usado de acordo com as instruções fornecidas neste manual do usuário.
- Guarde este manual de instruções para referência futura.
- Caso o aparelho seja entregue a terceiros, deverá também ser fornecido o manual de instruções.

INFORMAÇÕES GERAIS

Ao trocar informações com o FABRICANTE do aparelho, consulte o número de série e os dados de identificação especificados na etiqueta de classificação.

Este aparelho foi projetado, testado e fabricado em total conformidade com quaisquer padrões relevantes sobre:

- Segurança: CEI / EN 60335-1; CEI / EN 60335-2-31;
- Desempenho: CEI / EN 61591; CEI / EN 60704-1; CEI / EN 60704-2-13; EN 50564; CEI 62301.

EMC: EN 55014-1; EN 55014-2; CEI / EN 61000-3-2; CEI / EN 61000-3-3.

Recomendações para uma utilização adequada do aparelho com o objetivo de reduzir o impacto ambiental: ao iniciar a cozedura, ligue o exaustor à velocidade mínima e desligue-o

poucos minutos depois de terminar a cozedura. Aumente a velocidade do exaustor apenas em caso de grandes quantidades de vapores e fumos e use a função de reforço apenas quando for absolutamente necessário. Limpe o filtro de gordura somente quando necessário, para manter sua eficiência ao longo do tempo. Use um sistema de tubulação com o diâmetro máximo especificado neste manual, a fim de aumentar a eficiência e reduzir os níveis de ruído.



O símbolo no aparelho ou em sua documentação indica que este produto não deve ser tratado como lixo doméstico, mas deve ser encaminhado a um ponto de coleta específico para a reciclagem de equipamentos elétricos e eletrônicos. O descarte adequado deste aparelho ajudará a reduzir o consumo de matéria-prima e a poluição ambiental. Para obter informações mais detalhadas sobre a reciclagem deste aparelho, entre em contato com a prefeitura local, o serviço de coleta de lixo doméstico ou a loja onde adquiriu o aparelho.

Peças de reposição

Use somente peças sobressalentes originais.

Substitua os componentes antes que eles se desgastem. Realize verificações de manutenção regulares, conforme detalhado na seção “MANUTENÇÃO”.

Garantia

Para usufruir da garantia do FABRICANTE, os usuários devem seguir estritamente todas as instruções especificadas neste manual, em particular:

- use o exaustor apenas para os fins a que se destina;
- realizar manutenção contínua e escrupulosa 0perações;
- permitir o uso do capuz apenas por pessoas com habilidades e conhecimentos comprovados.

O não cumprimento das instruções contidas neste manual anulará imediatamente a garantia do fabricante.

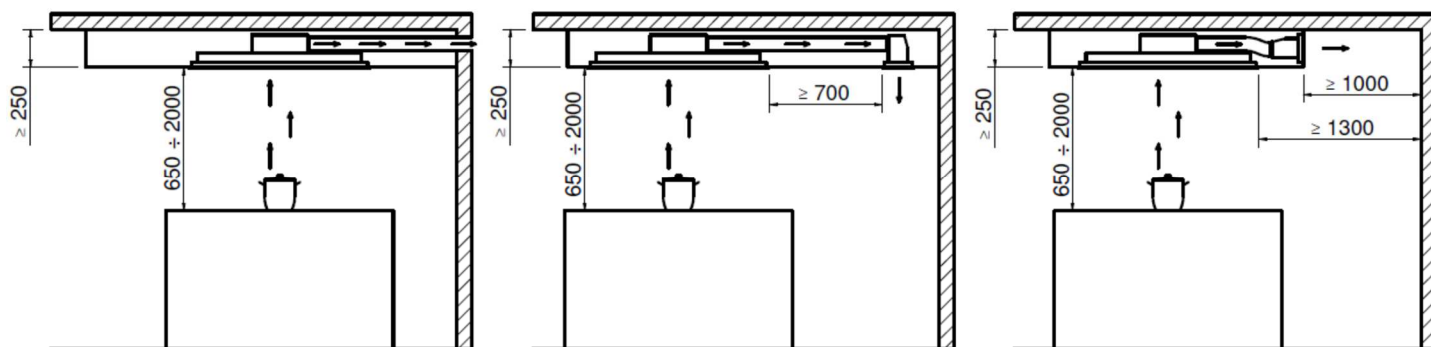
INSTRUÇÕES DE INSTALAÇÃO

- As operações de instalação e ligação elétrica devem ser realizadas de acordo com estas instruções e por pessoal qualificado e especializado.
- Use luvas de proteção antes e durante a instalação.
- Verifique se no interior do exaustor não se encontra nenhum acessório fornecido com o aparelho (manuais, acessórios, etc.): neste caso retire e guarde-os.
- Os números apresentados neste manual de instalação também podem referir-se a diferentes estéticas do aparelho: em qualquer caso, as instruções de utilização, instalação e manutenção permanecem as mesmas.

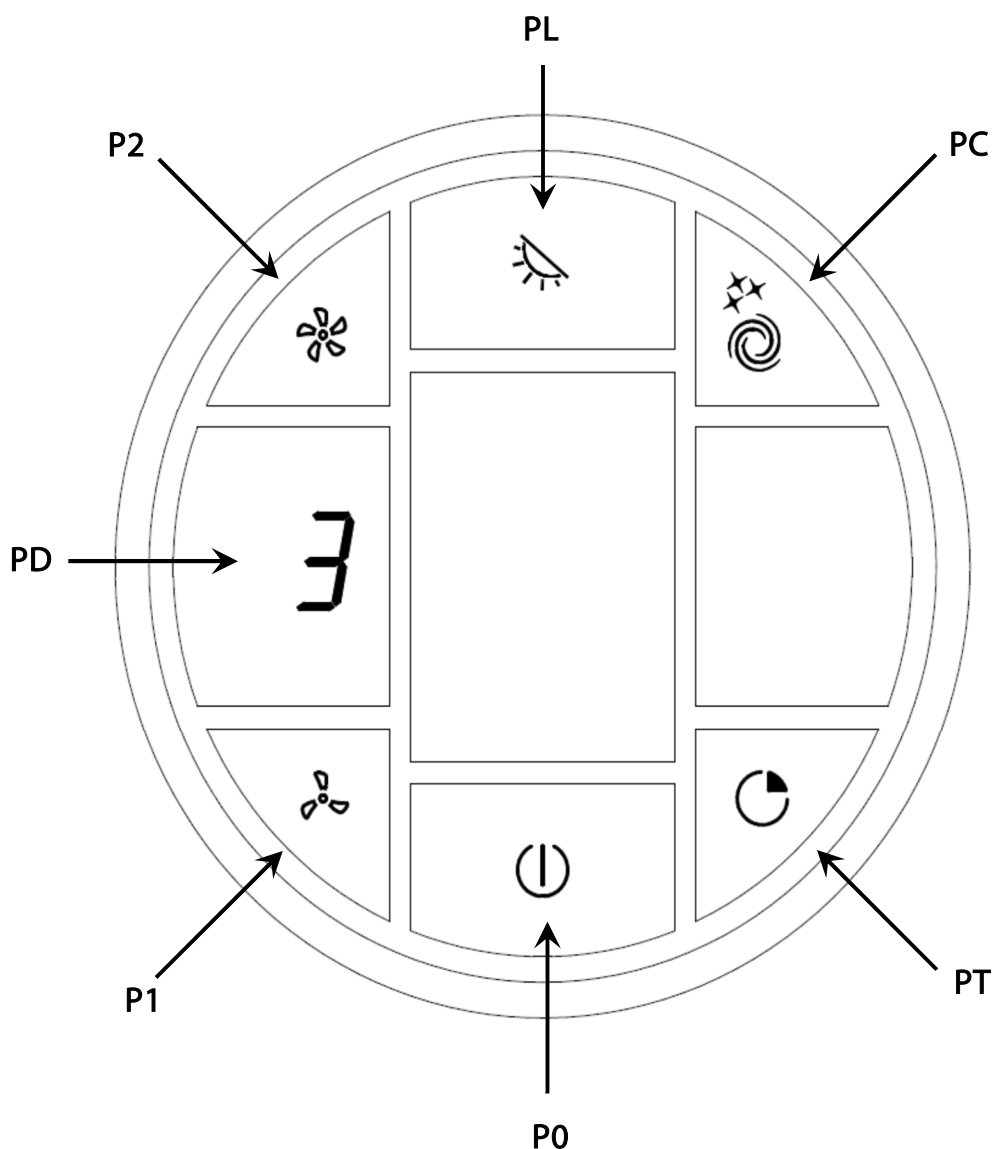
Distância mínima de segurança de instalação

A distância entre a placa eléctrica e a parte inferior do exaustor deve ser de pelo menos 550 mm, enquanto entre a placa a gás e a parte inferior do exaustor deve ser de pelo menos 650 mm. A distância de instalação recomendada entre o exaustor e a placa de fogão é entre 1300 e 1500 mm, enquanto a distância máxima é de 2000 mm.

Este exaustor foi concebido para ser instalado no tecto tanto na versão **ASPIRANTE** com evacuação dos fumos para o exterior, como na versão **FILTRAGEM** mediante aquisição do kit adequado.



INSTRUÇÃO DE CONTROLE



O controle remoto chegará já programado com o exaustor, se por algum motivo o controle remoto perder a comunicação com o exaustor, execute o seguinte procedimento:

- Desligue o exaustor da alimentação;
- Espere alguns segundos e restaure a energia e dentro de 10 segundos pressione os botões "P1" e "PT" ao mesmo tempo por cerca de 3 segundos.

O controle remoto estará operacional novamente.

FUNÇÕES

P0: Tecla MOTOR ON / OFF.

Se selecionado com o motor desligado, o display mostra um zero "0" por cerca de 1 segundo.

P1: tecla para diminuir a velocidade do motor, se o exaustor estiver em 1ª velocidade desliga o motor.

P2: tecla para aumentar a velocidade do motor, se o exaustor estiver desligado liga na 1ª velocidade, pressionando uma segunda vez ativa a 2ª velocidade, pressionando uma terceira vez ativa a 3ª velocidade, pressionando uma quarta vez ativa a 4ª velocidade, pressionando um a quinta vez ativa a 5ª velocidade (1ª velocidade intensiva) (**), pressionando uma sexta

vez ativa a 6ª velocidade (2ª velocidade intensiva) (**).

Os números das velocidades selecionadas aparecem no visor ("1", "2", "3", "4", "5", "6").

(**) Velocidades intensivas: a duração das velocidades intensivas é de 6 minutos após os quais a eletrônica retorna automaticamente à 4ª velocidade.

PL: Tecla LIGHTS ON / OFF

Intensidade da luz: ao pressionar o botão "PL" por um longo tempo com as luzes acesas, a intensidade da luz começará a diminuir até atingir o valor mínimo; soltar o botão interrompe a descida da intensidade da luz. Uma vez atingido o valor mínimo e pressionando novamente a tecla "PL" por um longo tempo, a intensidade da luz começará a aumentar até atingir o valor máximo; se liberado, ele para no brilho alcançado.

Temperatura de cor: com o capô apagado e as luzes apagadas, pressione e segure o botão "PL" até que o LED no capô acenda para entrar no menu de luz dinâmica. Com um simples pressionamento da tecla "PL" você terá a variação do tom da cor da luz de 2700 ° K a 4000 ° K em 10 passos. Ao atingir o tom desejado, será necessário aguardar 10 segundos, o LED do exaustor irá parar de piscar e a função será memorizada.

PC: Tecla LIGAR / DESLIGAR CLEAN AIR (aparece um "C" no display) quando esta função é ativada, o motor é colocado na velocidade máxima por cerca de 6 minutos, ao final dos 6 minutos o motor desliga-se automaticamente.

Para desativar esta função, pressione a tecla "PC" ou a tecla "P0".

Nota: esta função só pode ser ativada com o capô colocado e tem prioridade sobre todas as demais funções motoras ativas.

PT: Botão TIMER (um "T" aparece no visor)

O cronômetro realiza uma contagem regressiva de 15 minutos e só pode ser ativado com o motor funcionando.

A duração de 15 minutos não muda, mesmo que as velocidades sejam alteradas durante a contagem regressiva. Ao final dos 15 minutos o motor pára.

PD: Display

Ativação / desativação da campainha: por padrão o capô é fornecido com a campainha ativa, se desejar desativar, com o capô apagado, acenda as luzes pressionando a tecla "PL", depois pressione e segure as teclas "PT" e "P1" "teclas até o acendimento do exaustor led sem sinal acústico. Se desejar reativar, repita a operação descrita acima, o LED acenderá e o sinal acústico será emitido para confirmação.

Ativação / Desativação de Ar Fresco: pressionando longamente o botão "PC" com o capô desligado. Esta função permite que o motor seja ligado na 1ª velocidade por 10 minutos seguidos de 50 minutos em stand-by. Esta opção permanece ativa por um período de 24 horas. Para desativar a função Fresh Air, pressione a tecla "PC" ou "P0" novamente. Enquanto a função estiver ativa, com o motor funcionando e em stand-by, o LED do capô piscará a cada 5 segundos.

Nota: Para economizar bateria, o display permanece ativo por cerca de 4 segundos, após os quais ele desliga, para visualizar as funções ativas, selecione qualquer tecla e o display é reativado.

HOOD LED INDICATION

No corpo do capô, há um LED que indica o status operacional do motor funcionando em velocidade de acordo com estes critérios:

Motor DESLIGADO: LED apagado;

Motor de 1ª velocidade LED azul;

Motor de 2ª velocidade LED verde;

Motor de 3ª velocidade LED amarelo;

Motor de 4ª velocidade LED vermelho;

Cor do LED magenta do motor de 5ª velocidade (intensivo) (pisca intermitentemente por 1 segundo por 6 minutos e depois retorna à 4ª velocidade).

Motor de 6ª velocidade (intensivo) LED cor-de-rosa (pisca intermitentemente por 1 segundo por 6 minutos e depois retorna à 4ª velocidade).

Ao acionar o temporizador, o LED da cor correspondente, dependendo da velocidade definida, pisca intermitentemente durante 1 segundo, ao fim de 15 minutos, em velocidades não intensivas, o motor desliga e não a iluminação. Quanto às velocidades intensivas, quando o temporizador é acionado, permanece na velocidade definida durante os primeiros 6 minutos e termina os restantes 9 minutos na 4ª velocidade.

Na função Clean Air, o LED azul claro permanece estável, o motor passa para a 6ª velocidade e após 6 minutos o motor e não a iluminação desliga.

Na função Ar Fresco, o LED Azul pisca de forma intermitente por 5 segundos, com o capô desligado, o motor dá partida na 1ª rotação por 10 minutos e depois permanece desligado por 50 minutos e assim sucessivamente até que a função seja desligada.

Sinal de limpeza do filtro de gordura de metal

Após 30 horas de operação, o LED verde começará a piscar por 20 segundos indicando para limpar os filtros. Para zerar os filtros, com o exaustor desligado, pressione a tecla "P0" por 3 segundos enquanto o led estiver piscando.

Sinal de limpeza de filtro cerâmico ou de longa duração

Após 120 horas de operação, o LED vermelho começará a piscar por 20 segundos indicando para limpar os filtros. Para zerar os filtros, com o exaustor desligado, pressione a tecla "P0" por 3 segundos enquanto o led estiver piscando.

Cada vez que um botão do controle remoto é pressionado, o exaustor emite um sinal acústico para confirmar a recepção do sinal.

MANUTENÇÃO

AVISO! Antes de qualquer operação de limpeza ou manutenção, remova a fonte de alimentação do exaustor removendo o cabo ou desconectando o interruptor principal da casa. A limpeza e a manutenção normal não devem ser feitas por crianças sem supervisão.

Limpeza

Freqüentemente, o produto deve ser limpo tanto interna quanto externamente com pano umedecido em água morna e detergente líquido neutro não abrasivo.

Os filtros de gordura metálicos

Tem a função de reter as partículas de gordura dos fumos do cozimento e preservar o motor do aspirador, por isso está sujeito a entupimentos em tempos variáveis em relação ao uso do aparelho. Os filtros podem ser lavados na máquina de lavar louça com ciclos de lavagem curtos e a baixas temperaturas, o mais tardar a cada 2 meses para evitar o risco de incêndio. Após algumas lavagens, o filtro pode mudar de cor, devido aos sais e detergentes da máquina de lavar louça. A mudança de cor não afeta a funcionalidade do filtro de gordura.

Filtros cerâmicos

Eles têm a função de reter odores e purificar o ar que retorna ao meio ambiente. Os filtros cerâmicos podem ser limpos no forno a uma temperatura de 180/200 ° C durante cerca de 45/60 minutos. É recomendável substituir os filtros cerâmicos a cada 5 anos para garantir a melhor eliminação dos odores.

Iluminação

O exaustor é dotado de iluminação baseada em tecnologia LED de alta eficiência, baixo consumo de energia e altíssima durabilidade em condições normais de uso.

Para substituição, entre em contato com o departamento de serviço.

O FABRICANTE DA EMPRESA não pode ser responsabilizado por quaisquer danos causados por uma instalação ou utilização inadequada deste aparelho.

AVVERTENZA DI SICUREZZA

- L'apparecchio è destinato ad essere utilizzato esclusivamente per uso domestico e non per uso professionale.
- Questo apparecchio può essere utilizzato da bambini di età superiore agli 8 anni e da persone con facoltà fisiche, sensoriali e mentali ridotte o prive della necessaria esperienza e competenza solo se adeguatamente sorvegliati e se sono state fornite loro le necessarie istruzioni per l'uso sicuro dell'apparecchio e informato dei potenziali rischi e avvertenze associati.
- I bambini non devono giocare con l'apparecchio.
- Le istruzioni di sicurezza e di avvertenza specificate nel manuale dell'utente devono essere rigorosamente seguite.
- Attenzione: mancato utilizzo di viti e dispositivi di fissaggio secondo istruzioni specificate in questo manuale, può comportare rischi elettrici.
- L'apparecchio non deve essere utilizzato da persone (bambini compresi) con facoltà fisiche, sensoriali e mentali compromesse o prive della necessaria esperienza e competenza, a meno che non siano state adeguatamente controllate e istruite.
- È importante effettuare una pulizia adeguata del prodotto dopo ogni utilizzo, poiché la mancanza di pulizia può generare

pericoli di incendio.

- Assicurarsi che tutti i componenti dell'apparecchio non siano danneggiati. In caso contrario non proseguire con l'installazione e contattare un centro di assistenza qualificato.
- L'installatore specializzato deve eseguire tutti i necessari lavori di carpenteria e montaggio tenendo conto delle direttive esistenti.
- Durante l'installazione non collegare l'apparecchio alla rete elettrica.
- Prima di qualsiasi operazione di pulizia o manutenzione, disconnettere l'apparecchio dalla rete di alimentazione.
- I dispositivi di scollegamento devono essere incorporati nell'impianto elettrico fisso in conformità alle norme dell'impianto.
- Non utilizzare pulitore a vapore.
- Non utilizzare abrasivi aggressivi o raschietti metallici affilati per pulire il vetro poiché possono graffiare la superficie, causando la rottura del vetro.
- **ATTENZIONE:** Assicurarsi che l'apparecchio sia scollegato (OFF) prima di sostituire la lampada per evitare la possibilità di scosse elettriche.
- Non rimuovere la plastica protettiva dalla cappa fino a quando non è completamente installata, se questa plastica non è presente in queste aree si potrebbero avere rischi di danneggiamento durante l'installazione. Ciò eviterà danni

estetici dell'apparecchio, cosa che non sarà coperta dalla garanzia.

AVVERTENZE PER IL COLLEGAMENTO ELETTRICO

- I collegamenti elettrici devono essere approvati per il sistema in uso da un elettricista qualificato prima dell'uso.
- Il collegamento elettrico deve essere eseguito solo da un elettricista qualificato il quale si assume la responsabilità della corretta installazione elettrica del prodotto alla rete di alimentazione.
- Prima di collegare l'apparecchio all'alimentazione elettrica: verificare che i valori di tensione, frequenza e potenza elettrica indicati sull'etichetta dati dell'apparecchio siano compatibili con l'alimentazione elettrica e la presa.
- Il cavo di alimentazione deve essere collegato ad un interruttore magnetotermico omnipolare con una distanza tra i contatti di almeno 3 mm.
- Se il cavo di alimentazione danneggiato, deve essere sostituito dal costruttore, dal servizio di assistenza o da personale specializzato.
- Quando il prodotto è installato il cavo di alimentazione non deve essere in contatto con superfici con temperatura superiore a 50°C.

AVVERTENZE PER IL FUNZIONAMENTO

- Se la cappa viene utilizzata contemporaneamente ad apparecchi che bruciano gas o altri combustibili, il locale deve

avere una sufficiente aereazione (tale avvertenza non è applicabile per cappe installate in versione filtrante).

- Rispettare tutte le normative locali sulle operazioni di scarico dell'aria.

Se il prodotto viene utilizzato in modalità di ricircolo, assicurarsi della buona condizione del condotto di scarico nel caso in cui sia rimasto fermato per lungo tempo.

- Non è consentito cuocere cibi su fiamme libere (flambe) sotto la cappa.

Quando il piano cottura è in funzione non lasciare mai la pentola incustodita: l'olio contenuto nella pentola può surriscaldarsi e infiammarsi. Quando si utilizza l'olio, il rischio di incendi è più elevato.

È importante eseguire una corretta manutenzione e pulire i filtri antigrasso.

Per evitare il pericolo di incendio è necessario pulire frequentemente la cappa e le altre superfici.

- **ATTENZIONE:** quando il piano di cottura è in funzione le parti accessibili della cappa possono diventare calde.

- È vietato collegare lo scarico a condotti o canali di scarico e tubi per la ventilazione delle stanze.

- L'aria evacuata non deve essere convogliata in un condotto di circolazione ad aria calda.

- L'aria non deve essere scaricata in una canna fumaria usata per l'esaurimento di fumi dagli elettrodomestici che bruciano gas

o altri combustibili (tale avvertenza non è applicabile per cappe installate in versione filtrante).

- Garantire una corretta aereazione della stanza se la cappa e altri apparecchi non alimentati da elettricità vengono utilizzati contemporaneamente.

- La pressione negativa massima nel locale non deve superare i 4 Pa (4×10^{-5} bar).

- La stanza in cui deve essere installata la cappa deve avere un ingresso di aria avente una portata maggiore a quella di scarico dalla cappa. È assolutamente vietato collocare gli arti o qualsiasi altra parte del corpo o del corpo umano, oggetti per la cottura o altri oggetti in prossimità dell'unità estraibile della cappa (se presente nella versione del prodotto).

- Le cappe aspiranti e altri aspiratori di fumi di cottura possono influire negativamente sul funzionamento sicuro degli apparecchi a gas o altri combustibili (compresi quelli in altre stanze) a causa del riflusso dei gas di combustione. Questi gas possono potenzialmente provocare avvelenamento da monossido di carbonio. Dopo l'installazione di una cappa aspirante o di un altro aspiratore di fumi di cottura, il funzionamento degli apparecchi a gas di scarico aperti deve essere testato da una persona competente per garantire che non si verifichi il riflusso dei gas di combustione.

Per un impiego sicuro del prodotto e per conoscere tutte le caratteristiche e prestazioni:

- **Leggere attentamente il presente libretto di istruzione per l'uso prima dell'installazione e della prima messa in funzione.**
- **Attenzione soprattutto alle avvertenze per la sicurezza!**
- **E' consentito utilizzare l'apparecchio solo come descritto in questo libretto di istruzioni per l'uso.**
- **Conservare il manuale di istruzione.**
- **Se cedi l'apparecchio a terzi, consegnare anche il libretto di istruzione.**

Caro Cliente,

Vi ringraziamo per la vostra fiducia!

Congratulazioni per l'acquisto di questa nuova Cappa.

Per un impiego sicuro del prodotto e per conoscere tutte le caratteristiche e prestazioni:

- Leggere attentamente il presente libretto di istruzione per l'uso prima dell'installazione e della prima messa in funzione.
- Attenzione soprattutto alle avvertenze per la sicurezza!
- E' consentito utilizzare l'apparecchio solo come descritto in questo libretto di istruzioni per l'uso.
- Conservare il manuale di istruzione.
- Se cedi l'apparecchio a terzi, consegnare anche il libretto di istruzione.

INFORMAZIONI GENERALI

In caso di scambio di informazioni con il Costruttore dell'apparecchiatura fare riferimento al numero di serie ed ai dati identificativi riportati sulla targa dati del prodotto.

Apparecchiatura progettata, testata e realizzata nel rispetto delle norme sulla:

- Sicurezza: CEI/EN 60335-1; CEI/EN 60335-2-31;
 - Prestazione: CEI/EN 61591; CEI/EN 60704-1; CEI/EN 60704-2-13; EN 50564; CEI 62301.
- EMC: EN 55014-1; EN 55014-2; CEI/EN 61000-3-2; CEI/EN 61000-3-3.

Suggerimenti per un corretto utilizzo al fine di ridurre l'impatto ambientale: quando iniziate a cuocere, accendere la cappa a velocità minima, lasciandola accesa per alcuni minuti anche dopo il termine della cottura. Aumentare la velocità solo in caso di grandi quantità di vapore e fumo, utilizzando la funzione booster solo in casi estremi. Per mantenere ben efficiente il filtro antigrasso, pulirlo in caso di necessità. Per ottimizzare l'efficienza e minimizzare i rumori, utilizzare il diametro massimo del sistema di canalizzazione indicato in questo manuale.”



Il simbolo sul prodotto o sulla documentazione di accompagnamento indica che questo prodotto non deve essere trattato come rifiuto domestico ma deve essere conferito presso un apposito centro di raccolta per il riciclaggio di apparecchiature elettriche ed elettroniche. Lo smaltimento corretto contribuisce a ridurre il consumo di materie prime e l'inquinamento ambientale. Per informazioni più dettagliate per il recupero e riciclaggio di questo prodotto, contattare l'ideale ufficio locale, il servizio di raccolta dei rifiuti domestici o il negozio dove è stato acquistato il prodotto.

Parti di ricambio

Impiegare esclusivamente parti di ricambio originali.

Non attendere che i componenti siano logorati dall'uso prima di procedere alla loro sostituzione. Eseguire i controlli periodici di manutenzione come indicato nel capitolo “MANUTENZIONE”.

Garanzia

L'Utente, per poter usufruire della garanzia fornita dal Costruttore, deve osservare scrupolosamente le prescrizioni indicate nel presente manuale, ed in particolare:

- operare sempre nei limiti d'impiego della cappa;
- effettuare sempre una costante e diligente manutenzione;
- autorizzare all'uso della cappa persone di provata capacità e attitudine.

L'inosservanza delle prescrizioni contenute in questo manuale implicherà l'immediata decadenza della garanzia.

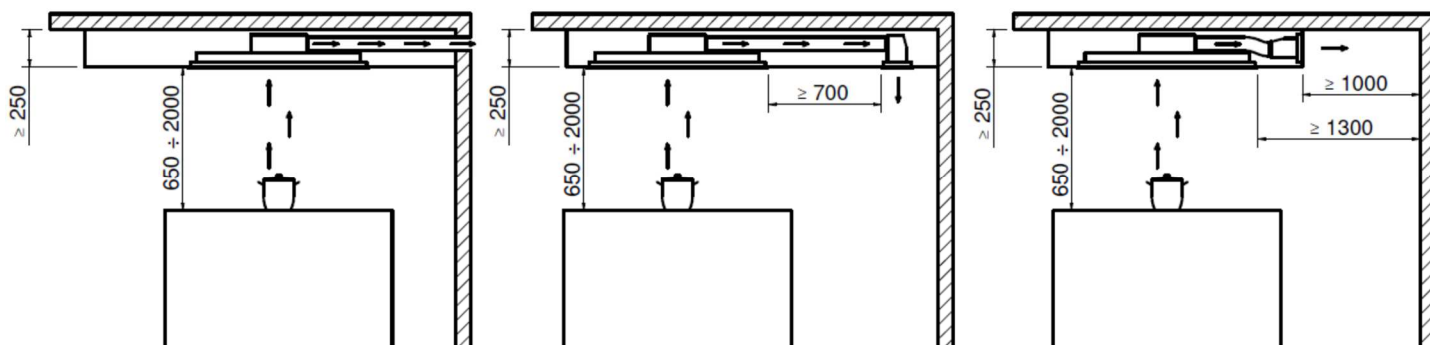
ISTRUZIONI PER L'INSTALLAZIONE

- Le operazioni di montaggio e collegamento elettrico devono essere effettuate secondo queste istruzioni e da personale professionale specializzato.
- Prima di iniziare e per tutta la durata dell'installazione utilizzare guanti protettivi.
- Controllare che all'interno della cappa non ci siano materiali di corredo (libretti, dotazioni ect.), eventualmente toglierli e conservarli.
- Le illustrazioni riportate in questo libretto possono raffigurare un'estetica diversa del prodotto, comunque le istruzioni per l'installazione, l'uso e la manutenzione sono le stesse.

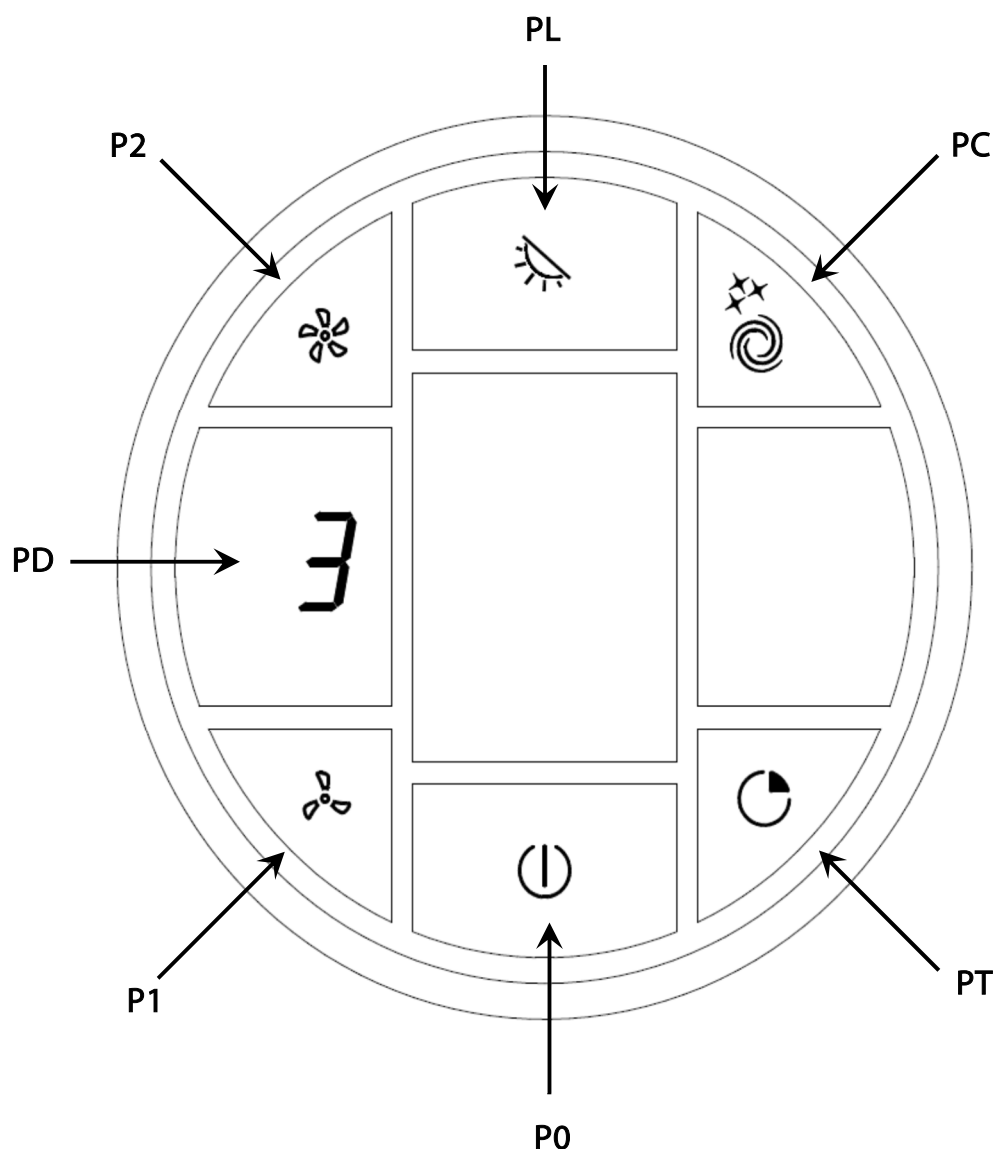
Distanza minima di sicurezza di installazione

La distanza tra un piano cottura elettrico e la parte inferiore della cappa deve essere di almeno **550 mm**, mentre tra un piano cottura a gas e la parte inferiore della cappa deve essere di almeno **650 mm**. La distanza di installazione consigliata tra cappa a soffitto e piano cottura è compresa tra 1300 e 1500 mm, mentre la distanza massima è 2000 mm.

Questa cappa è predisposta per essere installata a soffitto sia nella versione **ASPIRANTE** con evacuazione dei fumi all'esterno, sia nella versione **FILTRANTE** acquistando l'apposito kit.



ISTRUZIONE COMANDI



Il telecomando arriverà già programmato con la cappa, se per qualsiasi motivo il telecomando dovesse perdere la comunicazione con la cappa, eseguire la seguente procedura:

- togliere corrente alla cappa;
- attendere qualche secondo e ripristinare la corrente ed entro 10 secondi premere contemporaneamente il tasto "P1" e PT" per circa 3 secondi.

Il telecomando sarà di nuovo operativo.

FUNZIONI

P0: tasto ON/OFF MOTORE.

Se selezionato a motore spento il display visualizza uno zero "0" per circa 1 secondo.

P1: tasto per diminuire la velocità motore, se la cappa si trova in 1° velocità spegne il motore.

P2: tasto per aumentare la velocità motore, se la cappa è spenta accende la 1° velocità, premendo una seconda volta si attiva la 2° velocità, premendo una terza volta si attiva la 3° velocità, premendo una quarta volta si attiva la 4° velocità, premendo una quinta volta si attiva la 5° velocità (1° velocità intensiva) (**), premendo una sesta volta si attiva la 6° velocità (2° velocità intensiva) (**).

Sul display compaiono i numeri delle velocità selezionate ("1", "2", "3", "4", "5", "6").

(**) Velocità intensive: la durata delle velocità intensive è di 6 minuti al termine del quale l'elettronica torna in automatico in 4° velocità.

PL: tasto ON/OFF LUCI

Intensità Luminosa: premendo in maniera prolungata il tasto "PL" a luci accese, l'intensità della luce inizierà a scendere fino a raggiungere il valore minimo; rilasciando il pulsante s'interrompe la discesa dell'intensità luminosa. Una volta raggiunto il valore minimo e premendo nuovamente il tasto "PL" in maniera prolungata l'intensità luminosa inizierà ad aumentare fino a raggiungere il valore massimo; se rilasciato, si arresta, alla luminosità raggiunta.

Temperatura colore: a cappa spenta e luci spente, premere in maniera prolungata il tasto "PL" fino all'accensione del led sulla cappa per entrare nel menù della luce dinamica. Con le singole pressioni del tasto "PL" si avrà la variazione della tonalità di colore della luce da 2700°K a 4000°K in 10 step. Una volta raggiunta la tonalità desiderata si dovrà attendere 10 secondi, il led sulla cappa smetterà di lampeggiare e la funzione verrà memorizzata.

PC: tasto ON/OFF CLEAN AIR (sul display appare una "C") quando questa funzione è attivata, il motore si setta alla massima velocità per circa 6 minuti, allo scadere dei 6 minuti il motore si spegnerà automaticamente.

Per disattivare questa funzione premere il tasto "PC" oppure il tasto "P0".

Nota: questa funzione è attivabile solo a cappa accesa ed ha prevalenza su tutte le altre funzioni del motore attive.

PT: tasto TIMER (sul display appare una "T")

Il timer esegue un countdown di 15 minuti ed è attivabile solo con il motore in funzione.

La durata di 15 minuti non cambia anche se durante il countdown si cambiano le velocità.

Al termine dei 15 minuti il motore si spegne.

PD: Display

Attivazione/Disattivazione Buzzer: per default la cappa viene fornita con il buzzer attivo, qualora si voglia disattivare, a cappa spenta, accendere le luci premendo il tasto "PL", poi premere prolungatamente i tasti "PT" e "P1" fino all'accensione del led cappa senza segnale acustico. Qualora si voglia riattivare ripetere l'operazione sopra descritta, per conferma si avrà l'accensione del led e l'emissione del segnale acustico.

Attivazione/Disattivazione Fresh Air: premendo in maniera prolungata il tasto "PC" a cappa spenta. Questa funzione permette l'accensione del motore alla 1° velocità per 10 minuti seguito da 50 minuti di stand-by. Questa opzione rimane attiva fino alla sua disattivazione premendo nuovamente il tasto "PC" o "P0". Mentre la funzione è attiva, sia a motore acceso che in stand-by, si avrà il lampeggio ogni 5 secondi del led della cappa.

Nota: Per il risparmio energetico della batteria, il display rimane attivo circa 4 secondi dopodiché si spegne, per visualizzare le funzioni attive selezionare qualsiasi tasto e il display si riattiva.

INDICAZIONE LED CAPP

Nella scocca della cappa è presente un led che indica lo stato di funzionamento del motore in funzione alla velocità secondo questo criterio:

Motore OFF: LED spento;

Motore 1° Velocità colore LED Blu;

Motore 2° Velocità colore LED Verde;

Motore 3° Velocità colore LED Giallo;

Motore 4° Velocità colore LED Rosso;

Motore 5° Velocità (Intensiva) colore LED Magenta (Lampeggia con intermittenza di 1 secondo per 6 minuti per poi ritornare alla 4° velocità).

Motore 6° Velocità (Intensiva) colore LED Rosa (Lampeggia con intermittenza di 1 secondo per 6 minuti per poi ritornare alla 4° velocità).

Con l'attivazione del timer il LED del relativo colore, in funzione alla velocità impostata, lampeggia con intermittenza di 1 secondo, allo scadere dei 15 minuti, nelle velocità non intensive, si spegne il motore e non l'illuminazione. Per quanto riguarda invece le velocità intensive, all'attivazione del timer, per i primi 6 minuti rimane nella velocità impostata per poi terminare i restanti 9 minuti alla 4° velocità.

Nella funzione Clean Air il LED di colore Celeste rimane fisso, il motore passa alla 6° velocità e dopo 6 minuti si spegne il motore e non l'illuminazione.

Nella funzione Fresh Air il LED di colore Blu lampeggia con intermittenza di 5 secondi, a cappa spenta si accende il motore alla 1° velocità per 10 minuti per poi rimanere spento per 50 minuti e così di seguito fino al disinserimento della funzione.

Segnalazione pulizia filtri antigrasso metallici

Dopo 30 ore di funzionamento, il LED di colore Verde inizierà a lampeggiare per 20 secondi indicando di eseguire la pulizia dei filtri. Per eseguire il reset dei filtri, a cappa spenta, premere per 3 secondi il tasto "P0" durante il lampeggio del led.

Segnalazione pulizia filtri long-life o ceramici

Dopo 120 ore di funzionamento, il LED di colore Rosso inizierà a lampeggiare per 20 secondi indicando di eseguire la pulizia dei filtri. Per eseguire il reset dei filtri, a cappa spenta, premere per 3 secondi il tasto "P0" durante il lampeggio del led.

Ogni volta che viene premuto un tasto del telecomando la cappa emetterà un segnale acustico per confermare la ricezione del segnale.

MANUTENZIONE

ATTENZIONE! Prima di qualsiasi operazione di pulizia o manutenzione, togliere l'alimentazione alla cappa togliendo il cavo o scollegando l'interruttore generale dell'abitazione. La pulizia e la manutenzione ordinaria non devono essere eseguite da bambini senza sorveglianza.

Pulizia

Il prodotto va pulito frequentemente sia internamente che esternamente utilizzando un panno inumidito con acqua tiepida e detersivo liquido neutro non abrasivo.

I filtri antigrasso metallici

Ha il compito di trattenere le particelle di grasso dai fumi di cottura e preservare il motore dell'aspiratore, quindi è soggetto ad intasamento in tempi variabili in relazione all'utilizzo dell'apparecchio. I filtri possono essere lavati in lavastoviglie con cicli di lavaggio brevi e a basse temperature, al più tardi ogni 2 mesi per evitare il rischio di incendio. Dopo alcuni lavaggi il filtro potrebbe cambiare colore, a causa dei sali e dei detersivi della lavastoviglie. Il cambiamento di colore non pregiudica la funzionalità del filtro antigrasso.

Filtri Ceramici

Hanno il compito trattenere gli odori e di depurare l'aria che viene rimessa nell'ambiente. I filtri ceramici possono essere puliti in forno ad una temperatura di 180/200°C per circa 45/60 minuti. Sostituire i filtri ogni 5 anni oppure ogni volta che risultino danneggiati.

Illuminazione

La cappa è dotata di illuminazione basata su tecnologia LED ad alta efficienza, basso consumo e durata molto elevata in condizioni normali di utilizzo.

Per la sostituzione rivolgersi al servizio di assistenza.

LA DITTA PRODUTTRICE non potrà ritenersi responsabile per eventuali danni provocati da un'installazione o un utilizzo improprio di questo apparecchio.

OSTRZEŻENIE DOTYCZĄCE BEZPIECZEŃSTWA

- To urządzenie zostało zaprojektowane do użytku domowego w środowisku domowym. Nigdy nie używaj urządzenia do użytku profesjonalnego lub przemysłowego.
- To urządzenie może być obsługiwane przez dzieci w wieku powyżej 8 lat oraz przez osoby z upośledzonymi zdolnościami fizycznymi, sensorycznymi i umysłowymi lub bez niezbędnego doświadczenia i kompetencji tylko pod odpowiednim nadzorem i po otrzymaniu niezbędnych instrukcji dotyczących bezpiecznego użytkowania urządzenia i poinformowany o potencjalnych zagrożeniach i ostrzeżeniach.
- Dzieci nie mogą bawić się urządzeniem.
- Należy ściśle przestrzegać instrukcji bezpieczeństwa i ostrzeżeń zawartych w instrukcji obsługi.
- Uwaga: Niestosowanie śrub i urządzeń mocujących zgodnie z instrukcji określonych w niniejszej instrukcji, może spowodować ryzyko porażenia prądem elektrycznym.
- Urządzenie nie powinno być używane przez osoby (w tym dzieci) z upośledzonymi zdolnościami fizycznymi, sensorycznymi i umysłowymi lub bez niezbędnego doświadczenia i kompetencji, chyba że zostały odpowiednio nadzorowane i poinstruowane.
- Dokładne czyszczenie urządzenia po każdym użyciu jest bardzo ważne, ponieważ brak regularnego czyszczenia regular

może spowodować ryzyko pożaru.

- Upewnij się, że wszystkie elementy urządzenia nie są uszkodzone. W takim przypadku nie przeprowadzaj instalacji i skontaktuj się z wykwalifikowanym centrum pomocy technicznej.
- Wykwalifikowani instalatorzy wykonają wszelkie niezbędne prace ciesielskie i instalacyjne w pełnej zgodności z obowiązującymi dyrektywami.
- Nie podłączaj urządzenia do sieci elektrycznej podczas instalacji.
- Odłącz urządzenie od zasilania przed przystąpieniem do jakichkolwiek czynności związanych z czyszczeniem lub konserwacją.
- Konieczność odłączenia urządzenia od zasilania sieciowego po instalacji za pomocą dostępnej wtyczki lub wyłącznika głównego.
- Nie należy używać myjki parowej.
- Nie używaj ostrych materiałów ściernych ani ostrych metalowych skrobaków do czyszczenia szkła, ponieważ mogą zarysować powierzchnię, co może spowodować pęknięcie szkła.
- UWAGA: Upewnij się, że urządzenie jest odłączone (OFF) przed wymianą lampy, aby uniknąć porażenia prądem.
- Nie zdejmuj ochronnego plastiku z okapu, dopóki nie zostanie całkowicie zainstalowany, jeśli ten plastik nie znajduje

się w obszarach, które mogą być zagrożone uszkodzeniem podczas instalacji. Pozwoli to uniknąć uszkodzenia zewnętrznej części urządzenia, co nie jest objęte gwarancją.

OSTRZEŻENIA DOTYCZĄCE POŁĄCZENIA

ELEKTRYCZNEGO

- Podłączenia elektryczne powinny być zatwierdzone przez wykwalifikowanego elektryka przed użyciem urządzenia.
- Podłączenie elektryczne powinien wykonać tylko jeden wykwalifikowany elektryk, który będzie odpowiedzialny za prawidłowe podłączenie elektryczne urządzenia do zasilania.
- Przed podłączeniem urządzenia do sieci elektrycznej należy sprawdzić, czy wartości napięcia, częstotliwości i mocy podane na tabliczce znamionowej urządzenia są kompatybilne z domowym zasilaniem i gniazdkiem.
- Przewód zasilający powinien być podłączony do wielobiegunowego wyłącznika magnetotermicznego z przerwą między stykami co najmniej 3 mm.
- W przypadku uszkodzenia przewodu zasilającego, powinien on zostać wymieniony przez producenta lub serwis techniczny lub przez wyspecjalizowany personel.
- Przewód zasilający nie może stykać się z powierzchniami, których temperatura przekracza 50°C po zainstalowaniu urządzenia.

OSTRZEŻENIA DOTYCZĄCE OBSŁUGI

- W pomieszczeniu musi być zapewniona dogodna wentylacja, jeśli jednocześnie używany jest okap nadkuchenny i urządzenia zasilane gazem lub innym paliwem.
- Jeżeli okap jest używany jednocześnie z urządzeniami spalającymi gaz lub inne paliwa, pomieszczenie musi mieć odpowiednią wentylację (to ostrzeżenie nie dotyczy okapów montowanych w wersji filtrującej).
- Przestrzegać wszelkich obowiązujących norm lokalnych dotyczących operacji wywiewu powietrza.
- Jeśli urządzenie jest używane w trybie recyrkulacji, upewnij się, że kurz wylotowy jest w dobrym stanie na wypadek, gdyby nie był używany przez długi czas.
- Nie wolno gotować potraw na otwartym ogniu (flambe) pod okapem.
- Nigdy nie zostawiaj garnków bez nadzoru, gdy płyta jest włączona: olej zawarty w garnku może się przegrzać i spalić. Ryzyko pożaru jest znacznie wyższe, gdy używany jest olej.
- Właściwa konserwacja filtrów tłuszczu i dokładne czyszczenie są niezwykle ważne.
- Regularnie czyścić okap i inne powierzchnie, aby uniknąć ryzyka pożaru.
- UWAGA: gdy płyta jest włączona, dostępne części okapu mogą się nagrzewać.

- Niedopuszczalne jest podłączanie urządzenia wywiewnego do kanałów lub kanałów wywiewnych i rur do wentylacji pomieszczeń.
- Wywiewane powietrze nie może być kierowane do kanału cyrkulacji gorącego powietrza.
- Powietrze nie powinno być odprowadzane do przewodu kominowego przeznaczonego do odprowadzania spalin z urządzeń AGD zasilanych gazem lub innymi paliwami (nie dotyczy okapów pracujących w trybie recyrkulacji)
- Odpowiednio przewietrzyć pomieszczenie przy okapie kuchennym i innych
- Maksymalne podciśnienie w pomieszczeniu nie powinno przekraczać 4 Pa (4×10^{-5} bar).
- Pomieszczenie, w którym montowany jest okap, powinno być wyposażone w czerpnię powietrza o wydajności większej niż urządzenie wyciągowe okapu. Surowo zabrania się umieszczania kończyn lub jakiegokolwiek innej części ciała ludzkiego, a także przedmiotów do gotowania lub innych przedmiotów w pobliżu wyciąganej części okapu (jeśli Twoje urządzenie jest w nią wyposażone).
- Okapy nadkuchenne i inne wyciągi oparów kuchennych mogą niekorzystnie wpływać na bezpieczną pracę urządzeń spalających gaz lub inne paliwa (w tym znajdujących się w innych pomieszczeniach) z powodu wstecznego przepływu spalin. Gazy te mogą potencjalnie spowodować zatrucie

tlenkiem węgla. Po zainstalowaniu okapu nadkuchennego lub innego wyciągu oparów kuchennych, działanie urządzeń z otwartymi spalinami powinno zostać przetestowane przez kompetentną osobę, aby upewnić się, że nie występuje przepływ wsteczny gazów spalinowych.

Aby zapewnić bezpieczne użytkowanie produktu i poznać wszystkie funkcje i właściwości:

- **Przed instalacją i uruchomieniem należy uważnie przeczytać niniejszą instrukcję obsługi.**
- **Zwróć szczególną uwagę na ostrzeżenia dotyczące bezpieczeństwa!**
- **Urządzenie może być używane wyłącznie w sposób opisany w niniejszej instrukcji obsługi.**
- **Zachowaj instrukcję obsługi.**
- **Jeśli przekazujesz urządzenie osobie trzeciej, przekaz również instrukcję obsługi.**

Drogi Kliencie,

Dziękujemy za wybranie nas!

Gratulujemy zakupu nowego okapu kuchennego.

Aby bezpiecznie korzystać z urządzenia i lepiej poznać wszystkie jego funkcje i możliwości:

- Przeczytaj uważnie niniejszą instrukcję obsługi przed instalacją i włączeniem urządzenia.
- Należy zwrócić szczególną uwagę na ostrzeżenia dotyczące bezpieczeństwa!
- Urządzenie powinno być używane wyłącznie zgodnie z instrukcjami podanymi w niniejszej instrukcji obsługi.
- Zachowaj tę instrukcję obsługi do dalszego użytku.
- W przypadku przekazania urządzenia osobie trzeciej należy również przekazać instrukcję obsługi.

INFORMACJE OGÓLNE

W przypadku wymiany informacji z PRODUCENTEM urządzenia należy kierować się numerem seryjnym i danymi identyfikacyjnymi podanymi na tabliczce znamionowej.

To urządzenie zostało zaprojektowane, przetestowane i wyprodukowane w pełnej zgodności z odpowiednimi normami dotyczącymi:

- Bezpieczeństwo: CEI/EN 60335-1; CEI/EN 60335-2-31;
 - Wydajność: CEI/EN 61591; CEI/EN 60704-1; CEI/EN 60704-2-13; EN 50564; CEI 62301.
- EMC: EN 55014-1; EN 55014-2; CEI/EN 61000-3-2; CEI/EN 61000-3-3.

Zalecenia dotyczące prawidłowego użytkowania urządzenia mające na celu ograniczenie wpływu na środowisko: po rozpoczęciu gotowania włącz okap na minimalnej prędkości i wyłącz go kilka minut po zakończeniu gotowania. Zwiększaj prędkość okapu tylko w przypadku dużej ilości oparów i oparów, a funkcji booster używaj tylko wtedy, gdy jest to absolutnie konieczne. Filtr przeciwtłuszczowy należy czyścić tylko wtedy, gdy jest to konieczne, aby zachować jego skuteczność przez długi czas. Użyj systemu rur o maksymalnej średnicy określonej w niniejszej instrukcji, aby zwiększyć wydajność i zmniejszyć poziom hałasu.



Symbol na urządzeniu lub w jego dokumentacji wskazuje, że ten produkt nie powinien być traktowany jako odpad domowy, ale powinien być przekazany do specjalnego punktu zbiórki sprzętu elektrycznego i elektronicznego. Właściwa utylizacja tego urządzenia pomoże zmniejszyć zużycie surowców i zanieczyszczenie środowiska. Aby uzyskać bardziej szczegółowe informacje na temat recyklingu tego urządzenia, skontaktuj się z lokalnym urzędem miasta, firmą zajmującą się utylizacją odpadów domowych lub sklepem, w którym zakupiono urządzenie.

Części zamienne

Używaj tylko oryginalnych części zamiennych.

Wymień elementy, zanim się zużyją. Przeprowadzaj regularne kontrole konserwacyjne, jak opisano w rozdziale „KONSERWACJA”.

Gwarancja

W celu skorzystania z Gwarancji PRODUCENTA użytkownicy zobowiązani są do ścisłego przestrzegania wszystkich instrukcji zawartych w niniejszej instrukcji, w szczególności do:

- używaj okapu tylko zgodnie z jego przeznaczeniem;
- wykonywać ciągłe i skrupulatne czynności konserwacyjne;
- zezwalaj na użytkowanie okapu tylko osobom o sprawdzonych umiejętnościach i know-how.

Nieprzestrzeganie instrukcji zawartych w niniejszej instrukcji spowoduje natychmiastowe unieważnienie gwarancji producenta.

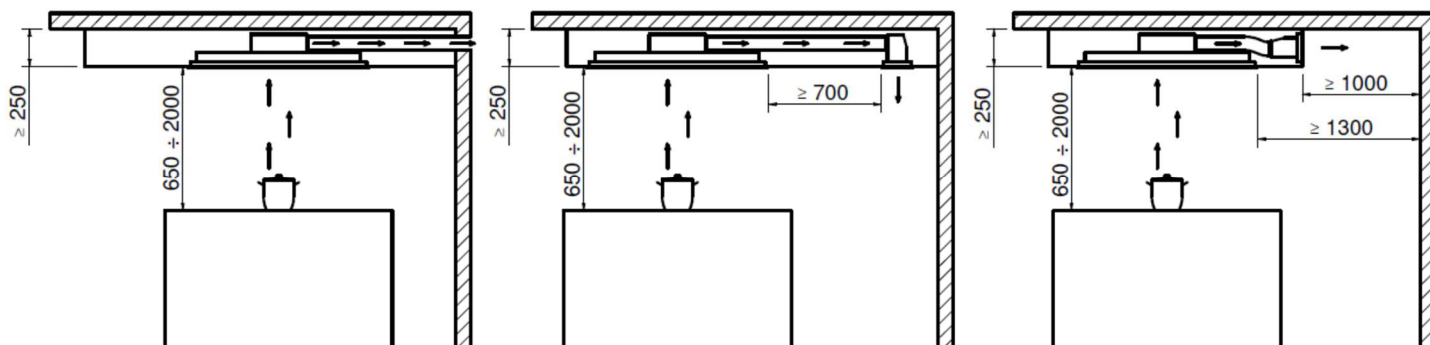
INSTRUKCJE INSTALACJI

- Operacje instalacji i podłączenia elektrycznego powinny być wykonywane zgodnie z niniejszą instrukcją oraz przez wykwalifikowany i wyspecjalizowany personel.
- Nosić rękawice ochronne przed i podczas instalacji.
- Sprawdź, czy wewnątrz okapu nie znajdują się żadne akcesoria dołączone do urządzenia (instrukcje, akcesoria itp.): w takim przypadku należy je wyjąć i zachować.
- Liczby przedstawione w niniejszej instrukcji instalacji mogą również odnosić się do innej estetyki urządzenia: w każdym przypadku instrukcje użytkowania, instalacji i konserwacji pozostają takie same.

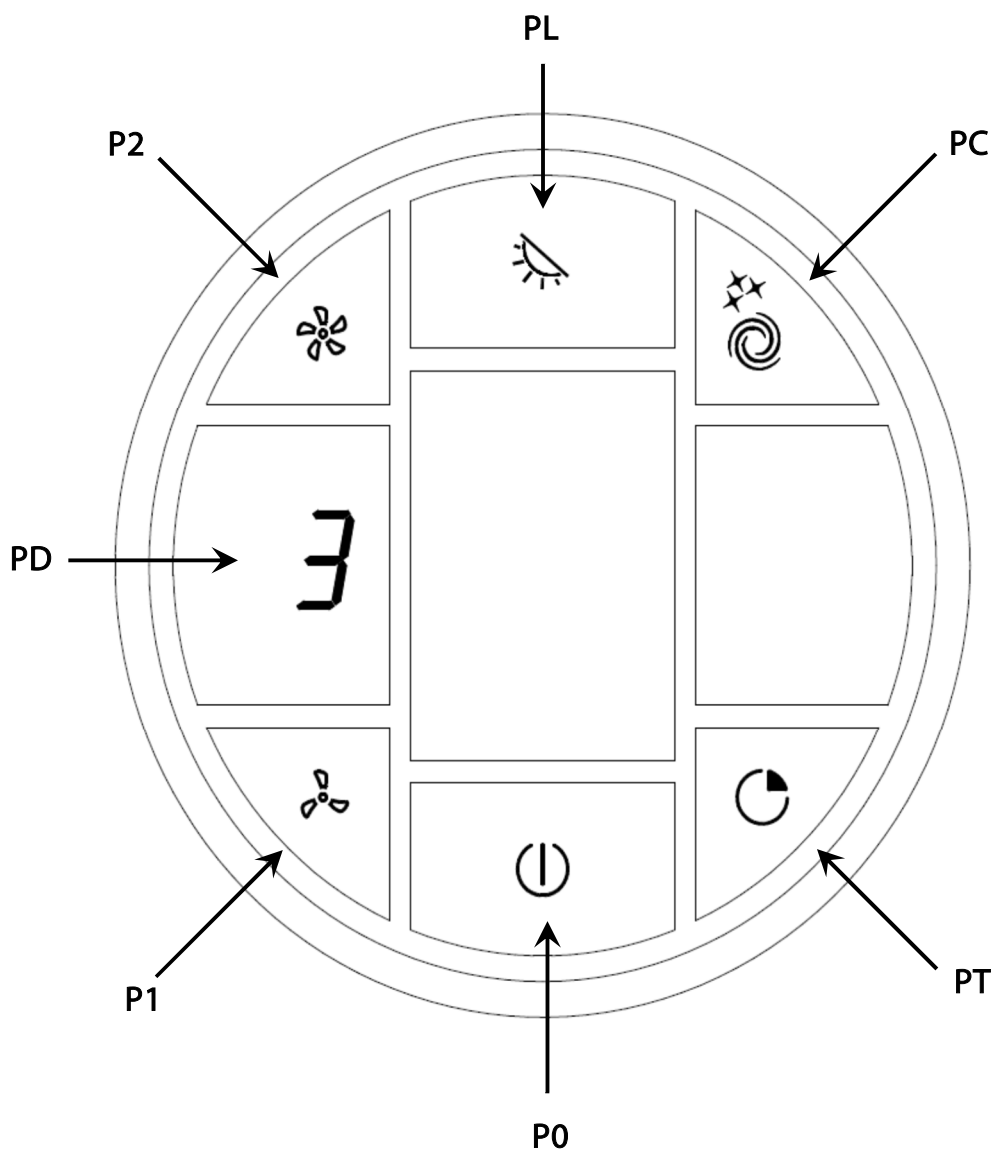
Minimalna bezpieczna odległość instalacji

Odległość między płytą elektryczną a dolną częścią okapu musi wynosić co najmniej 550 mm, natomiast między płytą gazową a dolną częścią okapu musi wynosić co najmniej 650 mm. Zalecana odległość montażowa między okapem sufitowym a płytą grzewczą wynosi od 1300 do 1500 mm, natomiast maksymalna odległość to 2000 mm.

Okap ten przeznaczony jest do montażu na suficie zarówno w wersji **ZASYSAJĄCEJ** z odprowadzaniem spalin na zewnątrz jak iw wersji **FILTRUJĄCEJ** po dokupieniu odpowiedniego zestawu.



INSTRUKCJA STEROWANIA



Pilot dotrę już zaprogramowany okapem, jeśli z jakiegoś powodu pilot utraci komunikację z okapem, wykonaj następującą procedurę:

- Odłączyć okap od zasilania;
- Odczekaj kilka sekund i przywróć zasilanie iw ciągu 10 sekund naciśnij jednocześnie przyciski "P1" i "PT" na około 3 sekundy.

Pilot będzie ponownie działał.

FUNKCJE

P0: klawisz WŁ./WYŁ. SILNIKA.

W przypadku wyboru przy wyłączonym silniku wyświetlacz pokazuje zero „0” przez około 1 sekundę.

P1: przycisk do zmniejszenia prędkości silnika, jeśli okap jest w pierwszej prędkości, wyłączy silnik.

P2: przycisk do zwiększenia prędkości silnika, jeśli okap jest wyłączony włączą 1 prędkość, drugie naciśnięcie aktywuje 2 prędkość, trzecie naciśnięcie włączą 3 prędkość, czwarte naciśnięcie włączą 4 prędkość, naciśnięcie a piąty raz aktywuje 5 prędkość (1. prędkość intensywna) (**), szóste naciśnięcie włączą 6 prędkość (2. prędkość intensywna) (**).

Numery wybranych prędkości pojawiają się na wyświetlaczu („1”, „2”, „3”, „4”, „5”, „6”).

(**) Prędkości intensywne: czas trwania prędkości intensywnych wynosi 6 minut, po czym elektronika automatycznie powraca do 4. prędkości.

PL: klawisz WŁĄCZ / WYŁĄCZ ŚWIATŁA

Natężenie światła: po długim naciśnięciu przycisku „PL” przy włączonych światłach intensywność światła zacznie się zmniejszać, aż osiągnie wartość minimalną; dłużej przytrzymanie przycisku przerywa opadanie natężenia światła. Po osiągnięciu wartości minimalnej i ponownym naciśnięciu przycisku „PL” przez dłuższy czas, intensywność światła zacznie rosnąć, aż osiągnie wartość maksymalną; jeśli zostanie przytrzymany, zatrzymuje się na osiągniętej jasności.

Temperatura koloru: przy wyłączonym okapie i wyłączonych światłach naciśnij i przytrzymaj przycisk „PL”, aż zapali się dioda LED na osłonie, aby wejść do menu dynamicznego światła. Pojedynczymi naciśnięciami klawisza „PL” będziesz mieć zmianę odcienia koloru światła od 2700 ° K do 4000 ° K w 10 krokach. Po osiągnięciu żądanego sygnału należy odczekać 10 sekund, dioda LED na okapie przestanie migać, a funkcja zostanie zapamiętana.

PC: Przycisk ON / OFF CLEAN AIR (na wyświetlaczu pojawia się „C”), gdy ta funkcja jest aktywna, silnik jest ustawiony na maksymalną prędkość przez około 6 minut, po upływie 6 minut silnik wyłączy się automatycznie.

Aby wyłączyć tę funkcję, naciśnij klawisz „PC” lub „P0”.

Uwaga: ta funkcja może być aktywowana tylko przy włączonym okapie i ma pierwszeństwo przed wszystkimi innymi aktywnymi funkcjami silnika.

PT: Przycisk TIMER (na wyświetlaczu pojawi się „T”)

Timer odlicza 15 minut i można go aktywować tylko przy pracującym silniku.

Czas trwania 15 minut nie zmienia się, nawet jeśli prędkości zostaną zmienione podczas odliczania. Pod koniec 15 minut silnik zatrzymuje się.

PD: Wyświetlacz

Aktywacja/dezaktywacja brzęczyka: domyślnie okap jest wyposażony w aktywny brzęczyk, jeśli chcesz dezaktywować, przy wyłączonym okapie, włącz światła naciskając klawisz „PL”, a następnie naciśnij i przytrzymaj „PT” i „P1” aż do włączenia się diody okapu bez sygnału akustycznego. Jeśli chcesz reaktywować, powtórz czynność opisaną powyżej, dioda LED zaświeci się i wyemitowany zostanie sygnał dźwiękowy potwierdzający.

Aktywacja/dezaktywacja świeżego powietrza: długie naciśnięcie przycisku „PC” przy wyłączonym okapie. Ta funkcja pozwala na włączenie silnika na 1. prędkości na 10 minut, a następnie na 50 minut czuwania. Ta opcja pozostaje aktywna przez okres 24 godzin. Aby dezaktywować funkcję Fresh Air, ponownie naciśnij przycisk „PC” lub „P0”. Gdy funkcja jest aktywna, zarówno przy uruchomionym silniku, jak i w trybie czuwania, dioda LED na masce będzie migać co 5 sekund.

Uwaga: Aby oszczędzać baterię, wyświetlacz pozostaje aktywny przez około 4 sekundy, po czym wyłącza się, aby wyświetlić aktywne funkcje należy wybrać dowolny klawisz i wyświetlacz zostanie ponownie włączony.

SYGNALIZACJA LED OKAPU

W korpusie okapu znajduje się dioda LED, która wskazuje stan pracy silnika pracującego z prędkością zgodnie z następującymi kryteriami:

Silnik wyłączony: dioda wyłączona;

1. prędkość silnika Kolor niebieskiej diody LED;

2 bieg silnika Zielony kolor diody LED;

Silnik 3. prędkości Żółty kolor diody LED;

Silnik 4 prędkości Czerwony kolor diody LED;

Silnik 5-tej prędkości (Intensywny) Kolor diody Magenta (Miga z przerwami przez 1 sekundę przez 6 minut, a następnie powraca do 4-tej prędkości).

Silnik 6-tej prędkości (intensywny) Różowy kolor diody LED (miga z przerwami przez 1 sekundę przez 6 minut, a następnie powraca do 4-tej prędkości).

Po włączeniu timera odpowiednia kolorowa dioda LED, w zależności od ustawionej prędkości, miga z przerwami przez 1 sekundę, pod koniec 15 minut, przy nieintensywnych prędkościach wyłącza się silnik, a nie oświetlenie. Jeśli chodzi o prędkości intensywne, gdy timer jest włączony, pozostaje on na ustawionej prędkości przez pierwsze 6 minut, a następnie kończy pozostałe 9 minut na 4 prędkości.

W funkcji Clean Air jasnoniebieska dioda LED świeci światłem ciągłym, silnik przełącza się na 6. prędkość i po 6 minutach wyłącza się silnik, a nie oświetlenie.

W funkcji Fresh Air niebieska dioda LED miga z przerwami przez 5 sekund, przy wyłączonej masce silnik uruchamia się na 1. prędkości przez 10 minut, a następnie pozostaje wyłączony przez 50 minut i tak dalej, aż funkcja zostanie wyłączona.

Sygnal czyszczenia metalowego filtra przeciwłuszczonego

Po 30 godzinach pracy zielona dioda LED zacznie migać przez 20 sekund, wskazując konieczność wyczyszczenia filtrów. Aby zresetować filtry, przy wyłączonym okapie, naciśnij przycisk „P0” przez 3 sekundy, podczas gdy dioda LED miga.

Sygnal czyszczenia filtra o przedłużonej żywotności lub ceramiczny

Po 120 godzinach pracy czerwona dioda zacznie migać przez 20 sekund, wskazując konieczność wyczyszczenia filtrów. Aby zresetować filtry, przy wyłączonym okapie, naciśnij przycisk „P0” przez 3 sekundy, podczas gdy dioda LED miga.

Po każdym naciśnięciu przycisku na pilocie, okap wyemituje sygnał dźwiękowy potwierdzający odbiór sygnału.

KONSERWACJA

OSTRZEŻENIE! Przed jakimkolwiek czyszczeniem lub konserwacją należy odłączyć okap od zasilania poprzez odłączenie kabla lub odłączenie głównego wyłącznika w domu. Dzieci nie mogą bez nadzoru czyścić i konserwować.

Czyszczenie

Produkt należy często czyścić zarówno od wewnątrz, jak i od zewnątrz za pomocą ściereczki zwilżonej letnią wodą i neutralnym, nieściernym płynnym detergentem.

Metalowe filtry przeciw tłuszczowe

Ma za zadanie zatrzymywanie cząstek tłuszczu z oparów kuchennych oraz zachowanie silnika aspiratora, dzięki czemu podlega zapychaniu w różnych czasach w zależności od użytkowania urządzenia. Filtry można myć w zmywarce przy krótkich cyklach zmywania i w niskich temperaturach, najpóźniej co 2 miesiące, aby uniknąć ryzyka pożaru. Po kilku praniach filtr może zmienić kolor z powodu soli do zmywarek i detergentów. Zmiana koloru nie wpływa na funkcjonalność filtra tłuszczu.

Filtry ceramiczne

Mają za zadanie zatrzymywanie zapachów i oczyszczanie powietrza, które wraca do środowiska.

Filtry ceramiczne można czyścić w piekarniku w temperaturze 180/200°C przez około 45/60 minut. Zaleca się wymianę filtrów ceramicznych co 5 lat, aby zapewnić najlepszą eliminację zapachów.

Oświetlenie

Okap wyposażony jest w oświetlenie oparte na wysokowydajnej technologii LED, niskim zużyciu energii i bardzo wysokiej trwałości w normalnych warunkach użytkowania.

W celu wymiany skontaktuj się z działem serwisowym.

PRODUCENT FIRMY nie ponosi odpowiedzialności za jakiegokolwiek szkody spowodowane nieprawidłową instalacją lub użytkowaniem tego urządzenia.

إرشادات السلامة

- تم تصميم هذا الجهاز للاستخدام المنزلي في البيئة المنزلية. لا تستخدم الجهاز أبدًا للاستخدام المهني أو الصناعي.
- يمكن تشغيل هذا الجهاز من قبل الأطفال الذين تزيد أعمارهم عن 8 سنوات والأشخاص الذين يعانون من إعاقة جسدية وحسية وعقلية أو بدون الخبرة والكفاءة اللازمة فقط إذا تم الإشراف عليهم بشكل صحيح وإذا تم تزويدهم بالتعليمات اللازمة بشأن الاستخدام الآمن للجهاز وإعلامهم بالمخاطر والتحذيرات المحتملة المصاحبة.
- لا يسمح للأطفال باللعب بالجهاز.
- يجب اتباع تعليمات السلامة والتحذير المحددة في دليل المستخدم بدقة.
- تنبيه: عدم استخدام البراغي وأجهزة التثبيت حسب
- التعليمات المحددة في هذا الدليل ، قد تؤدي إلى مخاطر كهربائية.
- لا يجوز استخدام الجهاز من قبل الأشخاص (بما في ذلك الأطفال) الذين يعانون من ضعف جسدي وحسي وعقلي أو بدون خبرة وكفاءة ضرورية ما لم يتم الإشراف عليهم وتوجيههم بشكل صحيح.
- تنظيف الجهاز بعناية بعد كل استخدام مهم للغاية ، لأن عدم القيام بالتنظيف المنتظم قد يؤدي إلى مخاطر نشوب حريق.
- تأكد من عدم تلف جميع مكونات الجهاز. في مثل هذه الحالة ، لا تقم بإجراء التثبيت والاتصال بمركز المساعدة الفنية المؤهل.
- يجب على القائمين بالتركيب المؤهلين إجراء أي أعمال نجارة وتركيب لازمة مع الامتثال الكامل للتوجيهات السارية.
- لا تقم بتوصيل الجهاز بالشبكة الكهربائية أثناء التثبيت.
- افصل الجهاز عن مصدر الطاقة قبل القيام بأي عملية تنظيف أو صيانة.
- تحتاج إلى السماح بفصل الجهاز عن مصدر التيار الكهربائي بعد التثبيت ، من خلال قابس يمكن الوصول إليه أو مفتاح رئيسي.

- يجب عدم استخدام منظف البخار.
- لا تستخدم المواد الكاشطة أو الكاشطات المعدنية الحادة لتنظيف الزجاج لأنها يمكن أن تخدش السطح ، مما قد يؤدي إلى كسر الزجاج.
- تنبيه: تأكد من فصل الجهاز (OFF) قبل استبدال المصباح لتفادي احتمال حدوث صدمة كهربائية.
- لا تقم بإزالة البلاستيك الواقي من الغطاء حتى يتم تثبيته بالكامل ، إذا لم يكن هذا البلاستيك موجوداً في المناطق التي يمكن أن تتعرض لخطر التلف أثناء التثبيت. سيؤدي ذلك إلى تجنب تلف الجزء الخارجي من الجهاز ، وهو أمر لن يغطيه الضمان.

تحذيرات التوصيل الكهربائي

- يجب اعتماد التوصيلات الكهربائية من قبل كهربائي مؤهل قبل استخدام الجهاز.
- يجب أن يتم التوصيل الكهربائي بواسطة كهربائي مؤهل واحد فقط يكون مسؤولاً عن التوصيل الكهربائي المناسب للجهاز بمصدر الطاقة.
- قبل توصيل الجهاز بالشبكة الكهربائية ، تحقق مما إذا كان الجهد والتردد وقيم الطاقة المحددة في ملصق تصنيف الجهاز متوافقة مع مصدر الطاقة المنزلي والمقبس.
- يجب أن يتم توصيل سلك الطاقة بقاطع مغناطيسي شامل للحرارة مع فجوة ملامسة للمفتاح لا تقل عن 3 مم.
- في حالة تلف سلك الطاقة ، يجب استبداله إما من قبل الشركة المصنعة أو خدمة المساعدة الفنية أو بواسطة موظفين متخصصين.
- يجب ألا يدخل سلك الطاقة ملامساً للأسطح التي تجاوزت درجة الحرارة 50 درجة مئوية بمجرد تركيب الجهاز

تحذيرات التشغيل

- يجب توفير تهوية مناسبة في الغرفة إذا تم استخدام شفاط المطبخ والأجهزة التي تعمل بالغاز أو أي وقود آخر في نفس الوقت.

- إذا تم استخدام غطاء المحرك في نفس الوقت مع الأجهزة التي تحرق الغاز أو أنواع الوقود الأخرى ، فيجب أن يكون للغرفة تهوية كافية (لا ينطبق هذا التحذير على الشفافات المثبتة في إصدار المرشح).
- الامتثال لأية إجراءات قياسية محلية بشأن عمليات عادم الهواء.
- إذا تم استخدام الجهاز في وضع الدوران ، فتأكد من أن غبار العادم في حالة جيدة في حالة عدم استخدامه لفترة طويلة.
- لا يجوز طهي الطعام فوق اللهب (ملتهب) تحت غطاء.
- لا تترك الأواني أبدًا دون مراقبة عندما يكون الموقد قيد التشغيل: قد يسخن الزيت الموجود في الإناء بشكل مفرط ويحترق. تكون مخاطر الحريق أعلى عند استخدام الزيت.
- الصيانة المناسبة لفلاتر الشحوم والتنظيف الدقيق أمران في غاية الأهمية.
- نظف غطاء المحرك والأسطح الأخرى بانتظام لتجنب مخاطر الحريق.
- تنبيه: عند تشغيل الموقد ، قد تصبح الأجزاء التي يمكن الوصول إليها من غطاء المحرك ساخنة.
- لا يُسمح بتوصيل جهاز العادم بمجاري أو قنوات العادم وأنابيب تهوية الغرفة.
- لا يجوز نقل الهواء المستخرج إلى قناة دوران الهواء الساخن.
- لا يجوز تصريف الهواء في مداخل المدخنة المستخدمة للأبخرة المنبعثة من الأجهزة المنزلية التي تعمل بالغاز أو أنواع الوقود الأخرى (لا ينطبق هذا في حالة عمل الشفافات في وضع إعادة التدوير)
- تهوية الغرفة بشكل مناسب عند شفاط المطبخ وغيره
- يجب ألا يتجاوز الضغط السلبي الأقصى في الغرفة 4 باسكال (54-10 x بار).
- يجب تزويد الغرفة التي يتم فيها تركيب غطاء المحرك بمدخل هواء تكون سعته أكبر من جهاز عادم غطاء المحرك. يُمنع منعًا باتًا وضع الأطراف أو أي جزء آخر من جسم الإنسان ، وكذلك أشياء الطهي أو غيرها من الأشياء ، بالقرب من الوحدة القابلة للاستخراج من غطاء المحرك (إذا كان لديك جهازًا مجهزًا بها).

- قد تؤثر شفاطات المطبخ وغيرها من شفاطات أبخرة الطهي سلبيًا على التشغيل الآمن للأجهزة التي تحرق الغاز أو أنواع الوقود الأخرى (بما في ذلك تلك الموجودة في الغرف الأخرى) بسبب التدفق العكسي لغازات الاحتراق. يمكن أن تؤدي هذه الغازات إلى التسمم بأول أكسيد الكربون. بعد تركيب شفاط المطبخ أو غيره من أجهزة شفط دخان الطهي ، يجب اختبار تشغيل أجهزة الغاز المشتعلة من قبل شخص مختص للتأكد من عدم حدوث تدفق عكسي لغازات الاحتراق.
- من أجل الاستخدام الآمن للمنتج ومعرفة جميع الميزات والعروض:
- اقرأ دليل التعليمات هذا بعناية للاستخدام قبل التثبيت والتشغيل.
- الانتباه بشكل خاص إلى تحذيرات السلامة!
- لا يجوز استخدام الجهاز إلا كما هو موضح في دليل التعليمات هذا.
- احتفظ بدليل التعليمات.
- إذا أعطيت الجهاز لطرف ثالث ، فقم أيضًا بإعطاء دليل التعليمات.
- عزيزي العميل،
- شكرًا لك لاختيارنا!
- تهانينا لشرائك شفاط المطبخ الجديد.
- من أجل استخدام الجهاز بأمان ومعرفة جميع ميزاته وأدائه بشكل أفضل:
- اقرأ دليل التعليمات هذا بعناية قبل تركيب وتشغيل الجهاز.
- يجب إيلاء اهتمام خاص لتحذيرات السلامة!
- يجب استخدام الجهاز فقط وفقًا للإرشادات الواردة في دليل المستخدم هذا.
- احتفظ بدليل التعليمات هذا لمزيد من المرجع.
- في حالة تقديم الجهاز لطرف ثالث ، يجب أيضًا تقديم دليل التعليمات
- معلومات عامة
- عند تبادل المعلومات مع الشركة المصنعة للجهاز ، يرجى الرجوع إلى الرقم التسلسلي وبيانات التعريف المحددة في ملصق التصنيف.
- تم تصميم هذا الجهاز واختباره وتصنيعه بما يتوافق تمامًا مع أي معايير ذات صلة في:

- Safety: CEI/EN 60335-1; CEI/EN 60335-2-31;
- Performance: CEI/EN 61591; CEI/EN 60704-1; CEI/EN 60704-2-13; EN 50564; CEI 62301.
- EMC: EN 55014-1; EN 55014-2; CEI/EN 61000-3-2; CEI/EN 61000-3-3.

تهدف التوصيات الخاصة بالاستخدام السليم للجهاز إلى تقليل التأثير البيئي: عند بدء الطهي ، قم بتشغيل الشفاط بأدنى سرعة وأوقف تشغيله بعد دقائق قليلة فقط من الانتهاء من الطهي. قم بزيادة سرعة الشفاط فقط في حالة وجود كميات كبيرة من الأبخرة والأبخرة ، واستخدم وظيفة التعزيز فقط عند الضرورة القصوى. نظف فلتر الشحوم فقط عند الضرورة وذلك للحفاظ على كفاءته بمرور الوقت. استخدم نظام أنابيب له أقصى قطر محدد في هذا الدليل ، من أجل زيادة الكفاءة وتقليل مستويات الضوضاء.



يشير الرمز الموجود على الجهاز أو في وثائقه إلى أنه لا يجب معاملة هذا المنتج كنفائات منزلية ، ولكن يجب تسليمه إلى نقطة تجميع محددة لإعادة تدوير المعدات الكهربائية والإلكترونية. سيساعد التخلص السليم من هذا الجهاز في تقليل استهلاك المواد الخام والتلوث البيئي. لمزيد من المعلومات التفصيلية حول إعادة تدوير هذا الجهاز ، يرجى الاتصال بمكتب المدينة المحلي أو خدمة التخلص من النفايات المنزلية أو المتجر الذي اشتريته منه الجهاز.

قطع الغيار

استخدم قطع الغيار الأصلية فقط.

استبدل المكونات قبل أن تتلف. قم بإجراء فحوصات الصيانة الدورية ، كما هو مفصل في قسم "الصيانة".

الضمان

من أجل التمتع بضمان الشركة المصنعة ، يجب على المستخدمين اتباع جميع التعليمات المحددة في هذا الدليل بدقة ، ويجب عليهم على وجه الخصوص:

-استخدم غطاء المحرك فقط للأغراض المخصصة له ؛

-إجراء عمليات صيانة مستمرة ودقيقة ؛

-السماح باستخدام غطاء المحرك فقط للأشخاص ذوي المهارات والدراسة المثبتة.

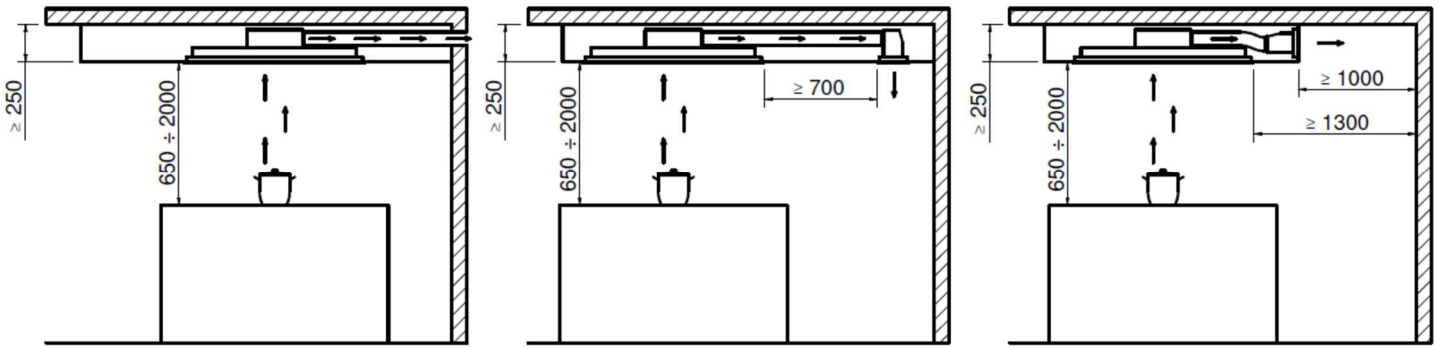
سيؤدي عدم الامتثال للتعليمات الواردة في هذا الدليل إلى إبطال ضمان الشركة المصنعة علي الفور

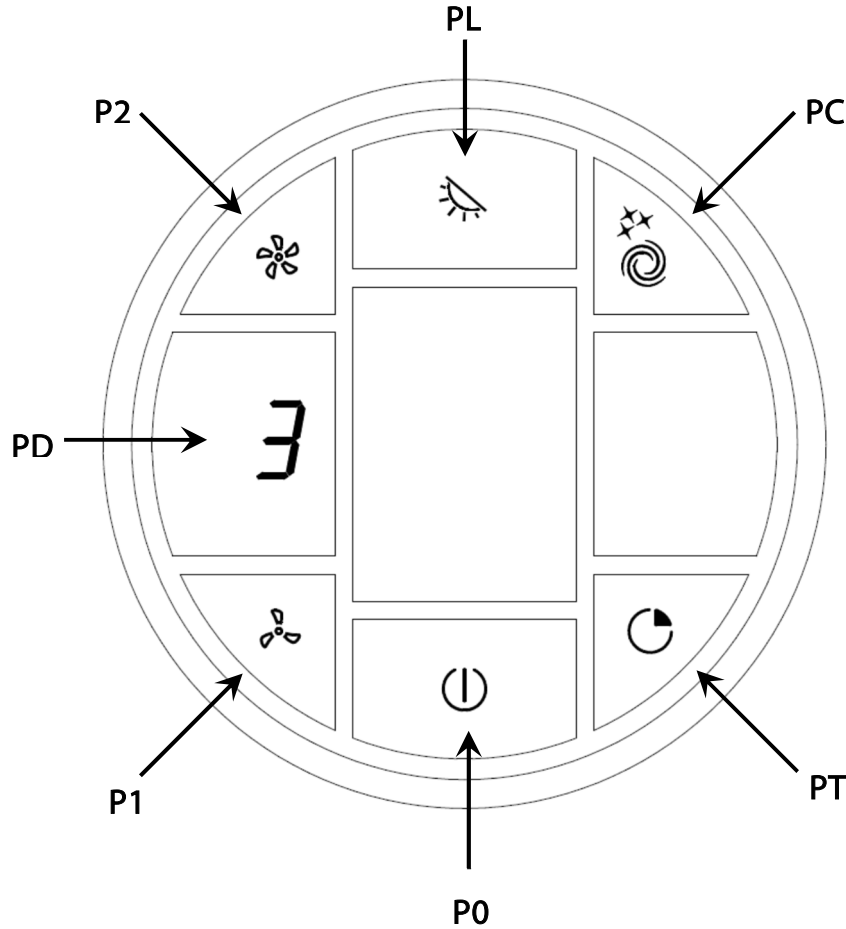
تعليمات التركيب

- يتم تنفيذ عمليات التركيب والتوصيل الكهربائي حسب هذه التعليمات ومن قبل موظفين مؤهلين ومتخصصين.
- قم بارتداء الففازات الواقية قبل وأثناء التركيب.
- تأكد من عدم وضع أي مادة ملحقه مع الجهاز (كثبيات ، ملحقات ، إلخ) داخل الغطاء: في مثل هذه الحالة ، قم بإزالتها واحتفظ بها.
- قد تشير الأرقام الموضحة في دليل التثبيت هذا أيضًا إلى جماليات مختلفة للجهاز: في أي حال ، تظل تعليمات الاستخدام والتركيب والصيانة كما هي.

الحد الأدنى من مسافة أمان التركيب

- يجب ألا تقل المسافة بين الموقد الكهربائي والجزء السفلي من غطاء المحرك عن 550 مم ، بينما يجب ألا تقل المسافة بين موقد الغاز والجزء السفلي من غطاء المحرك عن 650 مم.
- مسافة التركيب الموصى بها بين غطاء السقف والموقد تتراوح بين 1300 و 1500 مم ، بينما أقصى مسافة 2000 مم مع تفريغ الأبخرة إلى الخارج وفي إصدار الفلتر من خلال مخرج علوي (تم تصميم هذا الشفاط ليتم تثبيته على السقف في إصدار شراء المجموعة المناسبة.





سيصل جهاز التحكم عن بعد مبرمجًا بالفعل مع غطاء المحرك ، إذا فقد جهاز التحكم عن بعد الاتصال بغطاء المحرك لأي سبب من الأسباب ، فقم بتنفيذ الإجراء التالي:

- افصل الغطاء عن مصدر الطاقة ؛
- انتظر بضع ثوانٍ واستعد الطاقة وفي غضون 10 ثوانٍ اضغط على زرّي "P1" و "PT" في نفس الوقت لمدة 3 ثوانٍ تقريبًا.

سيتم تشغيل جهاز التحكم عن بعد مرة أخرى.

الوظائف

P0: مفتاح تشغيل / إيقاف تشغيل المحرك.

إذا تم تحديده مع إيقاف تشغيل المحرك ، تعرض الشاشة صفر "0" لمدة ثانية واحدة.

P1: مفتاح لتقليل سرعة المحرك ، إذا كان غطاء المحرك في السرعة الأولى فإنه يقوم بإيقاف تشغيل المحرك.

P2: مفتاح لزيادة سرعة المحرك ، إذا كان غطاء المحرك مغلقًا ، فإنه يعمل على السرعة الأولى ، والضغط مرة ثانية ينشط السرعة الثانية ، والضغط مرة ثالثة ينشط السرعة الثالثة ، والضغط مرة رابعة ينشط السرعة الرابعة ، والضغط على a المرة الخامسة تنشط السرعة الخامسة (السرعة الأولى مكثفة) (**) ، الضغط على المرة السادسة ينشط السرعة السادسة (السرعة الثانية مكثفة). (**)

تظهر أرقام السرعات المحددة على الشاشة ("1" ، "2" ، "3" ، "4" ، "5" ، "6").

(**) السرعات المكثفة: مدة السرعات المكثفة 6 دقائق وبعدها تعود الإلكترونيات أوتوماتيكياً إلى السرعة الرابعة.

PL: مفتاح تشغيل / إيقاف تشغيل الأضواء

شدة الضوء: بالضغط على الزر "PL" لفترة طويلة مع تشغيل الأضواء ، ستبدأ شدة الضوء في الانخفاض حتى تصل إلى أدنى قيمة ؛ يؤدي تحرير الزر إلى مقاطعة نزول شدة الضوء. بمجرد الوصول إلى القيمة الدنيا والضغط على مفتاح "PL" مرة أخرى لفترة طويلة ، ستبدأ شدة الضوء في الزيادة حتى تصل إلى القيمة القصوى ؛ إذا تم إطلاقه ، فإنه يتوقف عند السطوع الذي تم الوصول إليه. درجة حرارة اللون: مع إطفاء الغطاء وإطفاء الأنوار ، اضغط مع الاستمرار على الزر "PL" حتى يضيء مؤشر LED الموجود على الغطاء للدخول إلى قائمة الإضاءة الديناميكية. بضغطة واحدة على مفتاح "PL" ، ستحصل على تباين في درجة لون الضوء من 2700 درجة كلفن إلى 4000 درجة كلفن في 10 خطوات. بمجرد الوصول إلى النغمة المرغوبة ، سيتعين عليك الانتظار لمدة 10 ثوانٍ ، وسيتوقف مؤشر LED الموجود على الغطاء عن الوميض وسيتم حفظ الوظيفة.

الكمبيوتر الشخصي) **ON / OFF CLEAN AIR key**: يظهر "C" على الشاشة) عند تنشيط هذه الوظيفة ، يتم ضبط المحرك على السرعة القصوى لمدة 6 دقائق تقريبًا ، في نهاية 6 دقائق سيتم إيقاف تشغيل المحرك تلقائيًا .
لإلغاء تنشيط هذه الوظيفة ، اضغط على مفتاح "PC" أو مفتاح "P0"
ملاحظة: لا يمكن تنشيط هذه الوظيفة إلا عند تشغيل غطاء المحرك ولها الأولوية على جميع وظائف المحرك النشط الأخرى.
PT: زر) TIMER يظهر "T" على الشاشة)
يقوم العداد بعد تنازلي لمدة 15 دقيقة ولا يمكن تنشيطه إلا أثناء تشغيل المحرك.
لا تتغير مدة 15 دقيقة حتى إذا تم تغيير السرعات أثناء العد التنازلي.
في نهاية الـ 15 دقيقة توقف المحرك.

PD: عرض

تنشيط / إلغاء تنشيط الجرس: من خلال إفراغ الغطاء ، يتم تزويد غطاء المحرك بجرس نشط ، إذا كنت تريد إلغاء التنشيط ، مع إيقاف تشغيل الغطاء ، قم بتشغيل الأضواء بالضغط على مفتاح "PL" ، ثم اضغط مع الاستمرار على زر "PT" و "P1" حتى يتم تشغيل غطاء المحرك بدون إشارة صوتية. إذا كنت ترغب في إعادة التنشيط ، كرر العملية الموضحة أعلاه ، وسيضيء مؤشر **LED** وستنبعث الإشارة الصوتية للتأكيد.

تنشيط / إلغاء تنشيط الهواء النقي: الضغط على الزر "PC" لفترة طويلة مع إيقاف الغطاء. تتيح هذه الوظيفة تشغيل المحرك عند السرعة الأولى لمدة 10 دقائق تليها 50 دقيقة من وضع الاستعداد. يظل هذا الخيار نشطًا خلال فترة 24 ساعة. لإلغاء تنشيط وظيفة **Fresh Air** ، اضغط على مفتاح "PC" أو "P0" مرة أخرى. أثناء تنشيط الوظيفة ، سواء أثناء تشغيل المحرك أو في وضع الاستعداد ، سيومض مؤشر **LED** للغطاء كل 5 ثوانٍ.
ملاحظة: لتوفير طاقة البطارية ، تظل الشاشة نشطة لمدة 4 ثوانٍ تقريبًا ، وبعد ذلك يتم إيقاف تشغيلها ، لعرض الوظائف النشطة ، حدد أي مفتاح وستتم إعادة تنشيط الشاشة.

LED مؤشر

يوجد في جسم غطاء المحرك مؤشر **LED** يشير إلى حالة تشغيل المحرك بسرعة وفقًا لهذه المعايير:

إيقاف تشغيل المحرك: إيقاف تشغيل **LED** ؛

محرك السرعة الأولى أزرق اللون **LED** ؛

2nd سرعة المحرك اللون الأخضر **LED** ؛

محرك السرعة الثالثة: لون أصفر أبيض.

4 سرعة المحرك الأحمر لون الصمام ؛

محرك السرعة الخامس (مكثف) لون **LED** أرجواني (يومض بشكل متقطع لمدة ثانية واحدة لمدة 6 دقائق ثم يعود إلى السرعة الرابعة.)

محرك السرعة السادسة (مكثف) لون **LED** وردي (يومض بشكل متقطع لمدة ثانية واحدة لمدة 6 دقائق ثم يعود إلى السرعة الرابعة.)

من خلال تنشيط المؤقت ، يومض مؤشر **LED** الملون المقابل ، اعتمادًا على السرعة المضبوطة ، بشكل متقطع لمدة ثانية واحدة ، في نهاية 15 دقيقة ، في السرعات غير المكثفة ، يتم إيقاف تشغيل المحرك وليس الإضاءة. أما بالنسبة للسرعات المكثفة ، فعند تنشيط الميقاتي ، فإنه يظل على السرعة التي تم ضبطها لأول 6 دقائق ثم ينهي الدقائق التسع المتبقية على السرعة الرابعة.
في وظيفة **Clean Air** ، يظل مؤشر **LED** باللون الأزرق الفاتح ثابتًا ، ويتحول المحرك إلى السرعة السادسة وبعد 6 دقائق يتم إيقاف تشغيل المحرك وليس الإضاءة.

في وظيفة **Fresh Air** ، يومض مؤشر **LED** الأزرق بشكل متقطع لمدة 5 ثوانٍ ، مع إيقاف تشغيل غطاء المحرك ، يبدأ المحرك بالسرعة الأولى لمدة 10 دقائق ثم يظل مغلقًا لمدة 50 دقيقة وهكذا حتى يتم إيقاف تشغيل الوظيفة.

إشارة تنظيف فلتر الشحوم المعدنية

بعد 30 ساعة من التشغيل ، سيبدأ مؤشر **LED** الأخضر في الوميض لمدة 20 ثانية مشيرًا إلى تنظيف المرشحات. لإعادة ضبط المرشحات ، مع إيقاف غطاء المحرك ، اضغط على مفتاح "P0" لمدة 3 ثوانٍ أثناء وميض مؤشر **LED** طويل العمر أو إشارة تنظيف مرشح السيراميك

بعد 120 ساعة من التشغيل ، سيبدأ مؤشر **LED** الأحمر في الوميض لمدة 20 ثانية مشيرًا إلى تنظيف المرشحات. لإعادة ضبط المرشحات ، مع إيقاف غطاء المحرك ، اضغط على مفتاح "P0" لمدة 3 ثوانٍ أثناء وميض مؤشر **LED** في كل مرة يتم فيها الضغط على زر في جهاز التحكم عن بعد ، سيصدر غطاء المحرك إشارة صوتية لتأكيد استقبال الإشارة.

أعمال صيانة

تحذير! قبل أي عملية تنظيف أو صيانة ، قم بإزالة مصدر طاقة غطاء المحرك عن طريق إزالة الكابل أو فصل المفتاح الرئيسي في المنزل. يجب ألا يقوم الأطفال بالتنظيف والصيانة العادية دون إشراف.

تنظيف

يجب تنظيف المنتج بشكل متكرر داخليًا وخارجيًا باستخدام قطعة قماش مبللة بماء فاتر ومنظف سائل محايد غير كاشط.
مرشحات الشحوم المعدنية

وتتمثل مهمتها في الاحتفاظ بجزيئات الدهون من أبخرة الطهي والحفاظ على محرك الشفاط ، لذلك فهي عرضة للانسداد في أوقات متغيرة فيما يتعلق باستخدام الجهاز. يمكن غسل المرشحات في غسالة الأطباق مع دورات غسيل قصيرة وفي درجات حرارة منخفضة ، على الأكثر كل شهرين لتجنب خطر نشوب حريق. بعد بعض عمليات الغسيل ، قد يتغير لون الفلتر بسبب أملاح غسالة الأطباق والمنظفات. لا يؤثر تغيير اللون على وظيفة مرشح الشحوم.

فلتر سيراميك

لديهم مهمة الاحتفاظ بالروائح وتنقية الهواء الذي يتم إرجاعه إلى البيئة.

يمكن تنظيف الفلاتر الخزفية بالفرن عند درجة حرارة 200/180 درجة مئوية لمدة 60/45 دقيقة تقريباً. يوصى باستبدال فلتر السيراميك كل 5 سنوات لضمان التخلص من الرائحة بشكل أفضل.

إضاءة

الشفاط مزود بإضاءة تعتمد على تقنية **LED** عالية الكفاءة واستهلاك منخفض للطاقة ومتانة عالية جداً في ظل ظروف الاستخدام العادية.

للاستبدال ، اتصل بقسم الخدمة.

